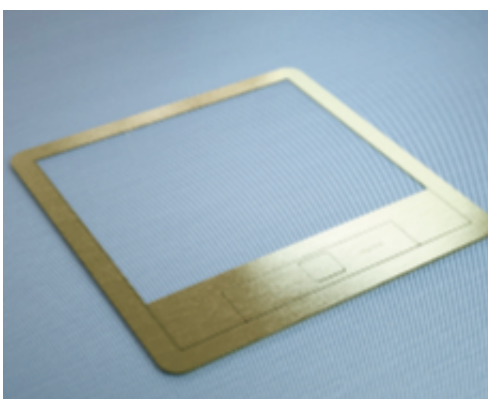


OUR NEW FLOOR BOXES

A truly universal range



[-> CATALOGUE PAGES INSIDE](#)

THE GLOBAL SPECIALIST IN ELECTRICAL
AND DIGITAL BUILDING INFRASTRUCTURES

 **legrand**[®]



IDEAL FOR OFFICES, MEETING ROOMS, SCHOOLS, COMPUTER ROOMS, AMPHITHEATRES, HOSPITALS, SHOPS, ETC



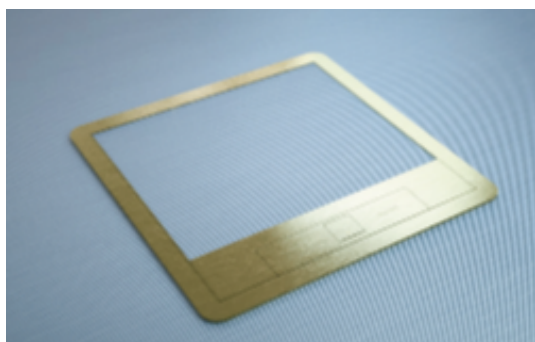
A TRULY UNIVERSAL RANGE

Adaptability,
modularity
& convenience


Whether you are a design office, architect, project manager or end user, you will be bowled over by this new modular range of floor boxes, both attractive and easy to use. Its key features can be summed up in 3 words. They can be integrated in any type of floor (concrete screed or raised floor), in commercial and public buildings.

CONTENTS

A look which matches your requirements	2
A solution which adapts to its environment.....	4
Quick and easy installation	6
Impeccable finish and ease of access.....	8
A range which adapts to change.....	10
Catalogue pages.....	12



- CONFORMING TO STANDARD IEC/EN 60 670-23
- IMPACT RESISTANCE IK 08
(WITH COVER CLOSED)



SEAMLESSLY INTEGRATED IN A WELL-ORGANISED SPACE, THEY ARE CONVENIENT AND PRACTICAL, AS CLOSE AS POSSIBLE TO USERS

A LOOK WHICH MATCHES YOUR REQUIREMENTS

Aesthetic appearance,
numerous configurations and
compatibility

Floor boxes, whether flush or standard version, integrate seamlessly in any type of floor (concrete screed or raised floor) and can be laid under any type of floor covering. Their attractive shape and finish makes them ideal for numerous different configuration depending on connection requirements and the number of sockets to be equipped.

AESTHETIC APPEARANCE: NUMEROUS POSSIBLE OPTIONS

Depending on the box version chosen (standard, flush or round), there are up to 3 possible finishes (plastic, stainless steel or brass) to match the floor covering and give the desired final appearance.

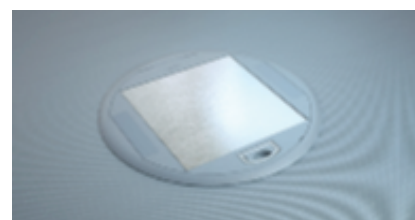
TYPES



Standard version ● ● ●

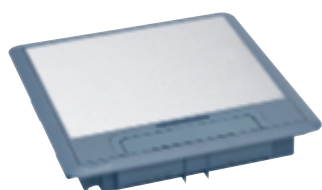


Flush version ● ●

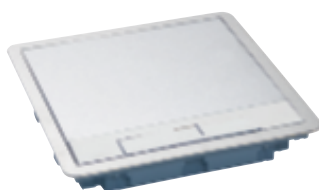


Round version ●

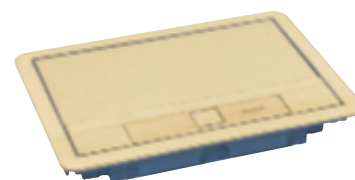
FINISHES



Plastic ●



Stainless steel ●



Brass ●

NUMEROUS CONFIGURATIONS

Wiring accessories in horizontal position, fixed or adjustable height



Wiring accessories in vertical position

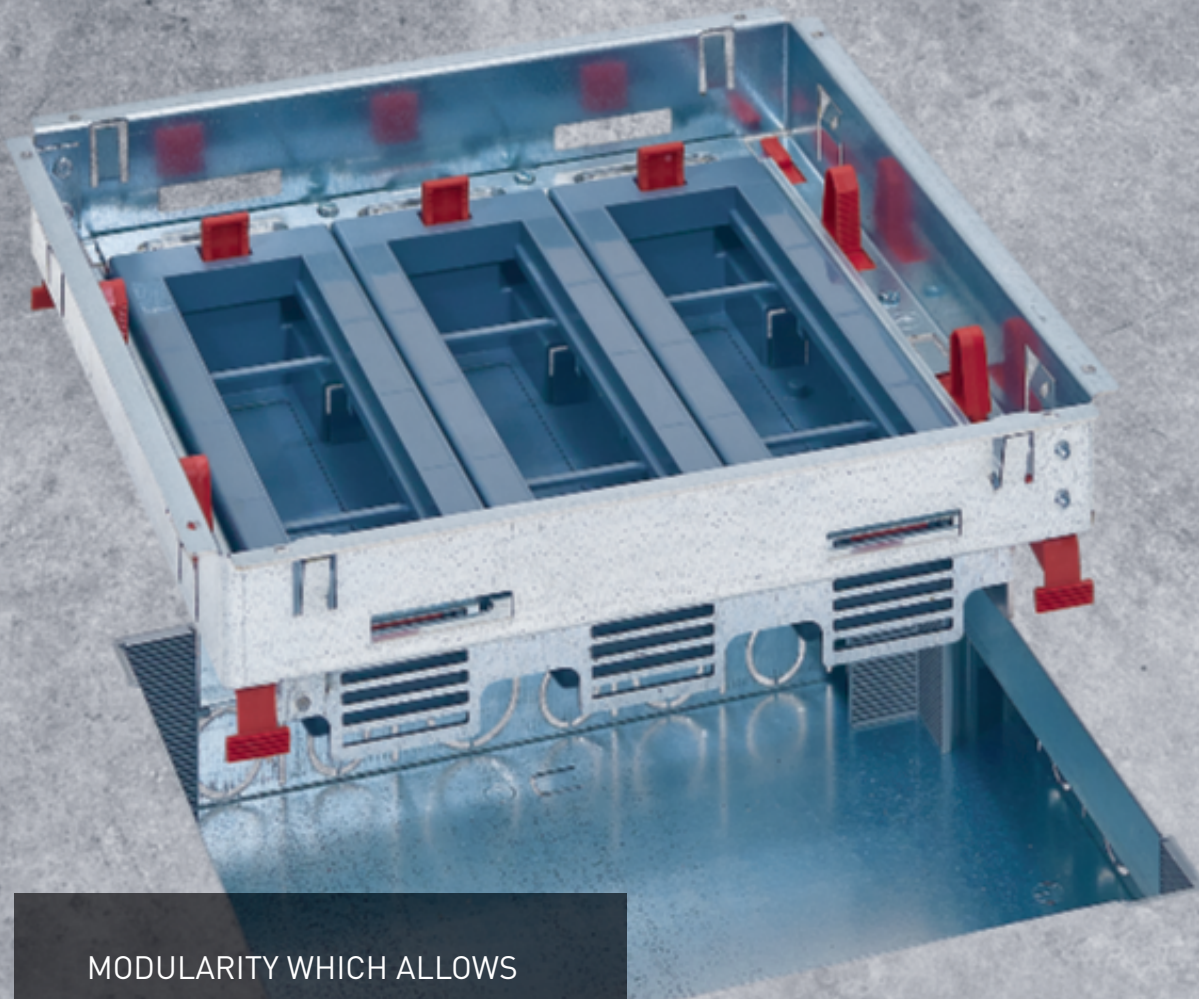


Three floor box sizes and two mounting positions. The choice depends on the number of sockets required, the desired use and the height available in the floor: 12/18/24 modules for sockets in horizontal position and 8/12/16 modules for sockets in vertical position.

COMPATIBILITY



Compatible with Mosaic™ and Arteor™ mechanisms.



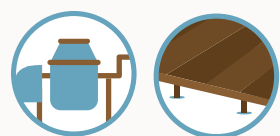
MODULARITY WHICH ALLOWS
TIME TO RECONSIDER RIGHT TO
THE END OF THE PROJECT

A SOLUTION WHICH ADAPTS TO ITS ENVIRONMENT

Flexible,
customisable
and totally
modular

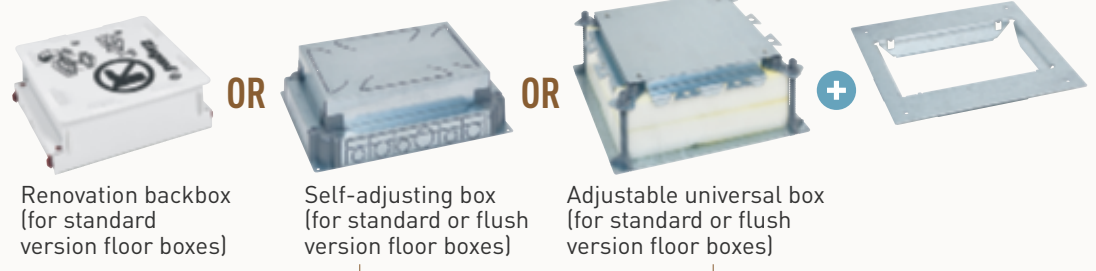
All standard and flush floor boxes are modular, which means they can easily adapt to the needs of each project and keep in step with the project progress. This allows decisions to be taken as the work progresses, allowing more time for discussion.

A MODULAR RANGE WHICH IS INSTALLED AS THE PROJECT PROGRESSES



1 POURING CONCRETE OR LAYING A RAISED FLOOR

BACKBOXES SOLELY FOR CONCRETE SCREED



Renovation backbox (for standard version floor boxes)

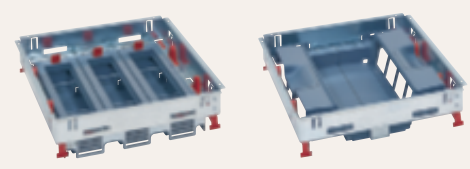
Self-adjusting box (for standard or flush version floor boxes)

Adjustable universal box (for standard or flush version floor boxes)



2 FIXING THE KIT IN THE BACKBOX OR DIRECTLY IN THE RAISED FLOOR

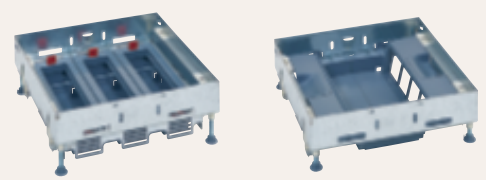
Support kits for sockets - standard version boxes



Horizontal (fixed or adjustable height)

Vertical

Support kits for sockets - flush version boxes



Horizontal

Vertical



3 INSTALLING THE SOCKETS AND WIRING



White 2P+E sockets



Red 2P+E sockets

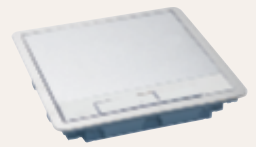


RJ sockets



4 FINISHING THE PROJECT AND LAYING THE FLOOR COVERING

Standard version



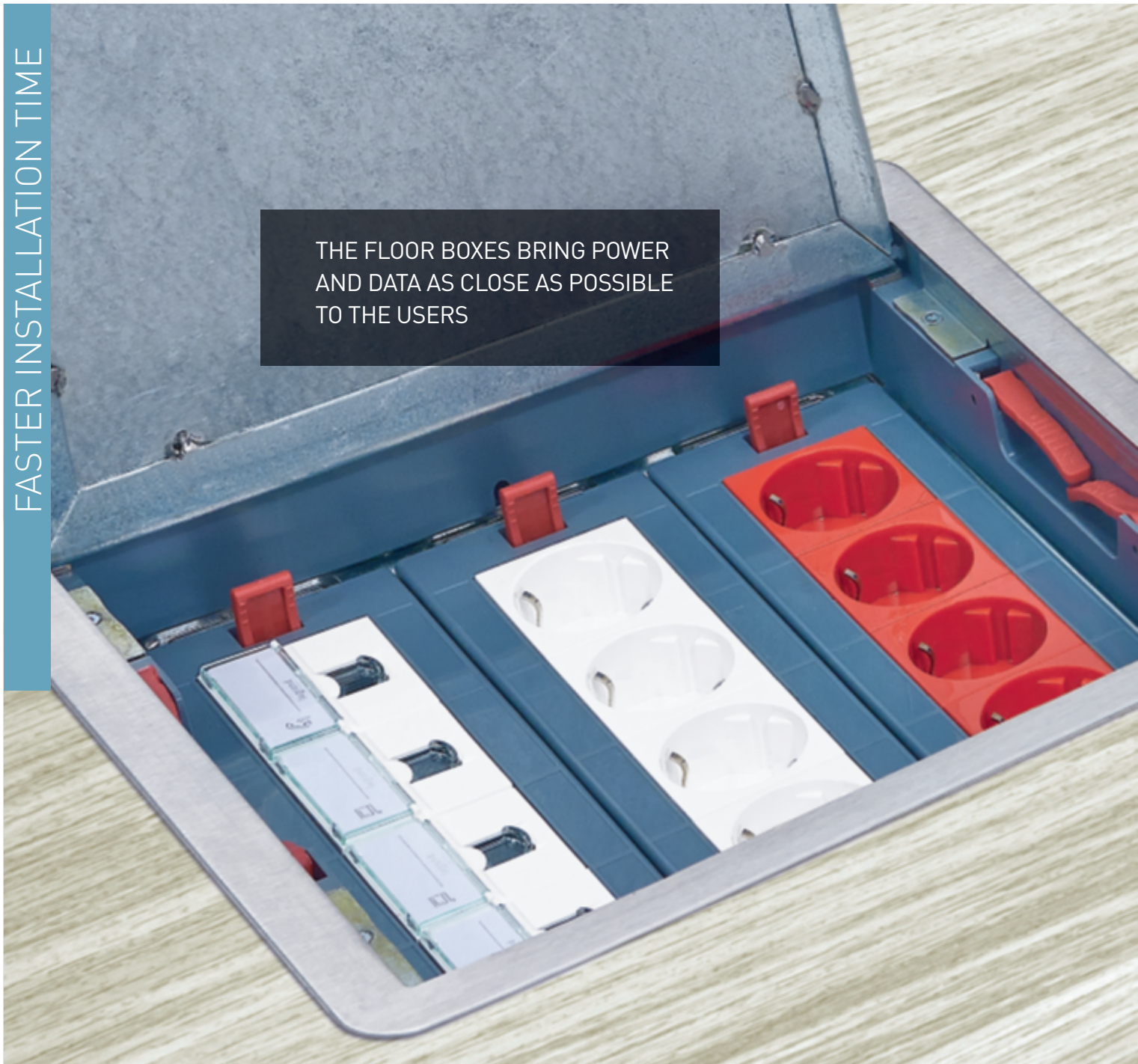
Cover and finishing plate

Flush version



Cover and finishing plate

THE FLOOR BOXES BRING POWER AND DATA AS CLOSE AS POSSIBLE TO THE USERS

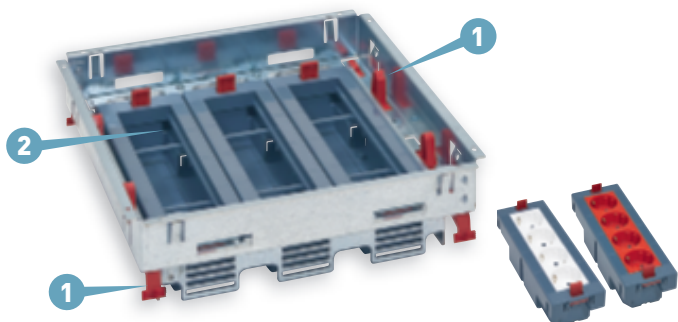


QUICK AND EASY INSTALLATION

Installation
with the
minimum of tools!

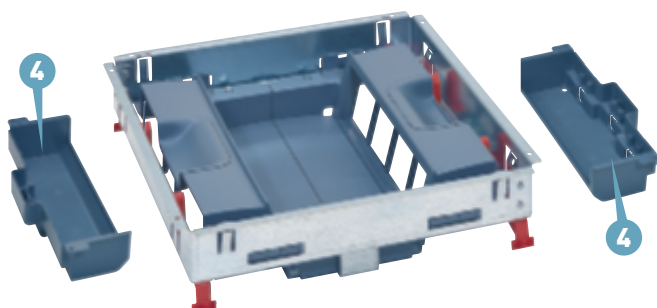
With their snap-in installation, our floor boxes are designed for ease of installation and wiring in any situation, and make it easier to cut the final floor covering. All the floor boxes in the new range can be installed in either concrete screeds or raised floors. They can be laid under a variety of floor coverings up to 15 mm thick.

STANDARD VERSION



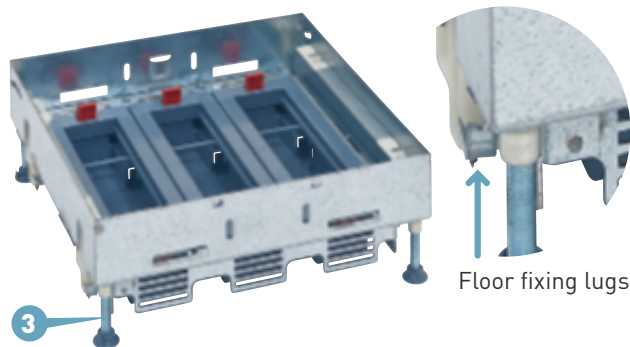
1) FIXING
Easily identifiable toolless snap-in fixing systems

2) SOCKET SUPPORTS
Quickly inserted and removed, they make it easier to wire sockets

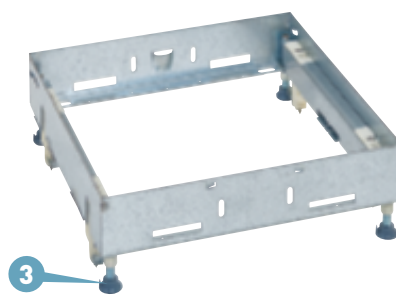


4) ELECTRICAL INSULATION KIT (RAISED FLOOR)
Used to insulate wires and wiring in standard and flush boxes with vertical sockets

FLUSH VERSION



3) ADJUSTABLE FEET
Used to quickly adjust the height and verticality of the box

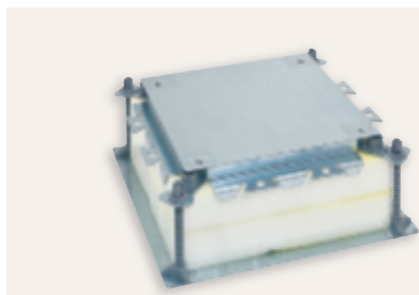


5) ACCESS COVER KIT
Available in standard or flush version

CONCRETE FLOOR: ADAPTABLE BACKBOXES



SELF-ADJUSTING BOX
The ideal solution for screed heights from 65 to 90 mm if the floor box dimensions are not expected to change. No adjustment needed, the concrete is poured to the desired height.



ADJUSTABLE UNIVERSAL BOX
For screed heights: from 55 to 150 mm (or more with the extension kit). The height is adjusted by compressing its removable high-density foam blocks. Can take any type of floor box thanks to special adaptors. Ideal solution if the choice of model and capacity of the floor box to be installed is not yet definitive.



RENOVATION BACKBOX
Particularly adapted for renovation. Can be integrated into existing screed or installed on concrete slab (before screed pouring) For screed heights: from 70 to 110 mm. Compatible with standard version floor boxes only.

DESIGNED WITH USER CONVENIENCE
AND SAFETY IN MIND, THE FLOOR
BOXES INTEGRATE SEAMLESSLY IN
ANY TYPE OF DECORATION



AN IMPECCABLE FINISH AND EASE OF ACCESS

Convenience
and safety for
unrestricted use

As well as being easy to install, floor boxes are convenient for users, with easily-accessible sockets near their workstation, which are guaranteed safe due to their customised protection.

CONVENIENCE AND SAFETY

SAFE CABLE OUTLETS



Flexible for plastic covers

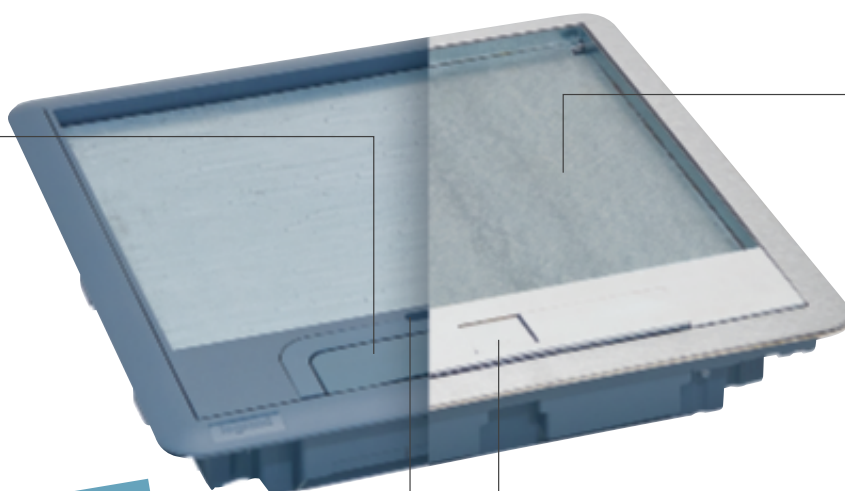


Rigid for metal covers



+ point

The wires are held in place by guides inside the box (for standard and round boxes)



METAL FINISHING PLATES



Available in stainless steel or brass versions, for an impeccable finish and extra strength

LOCKING ACCESSORIES



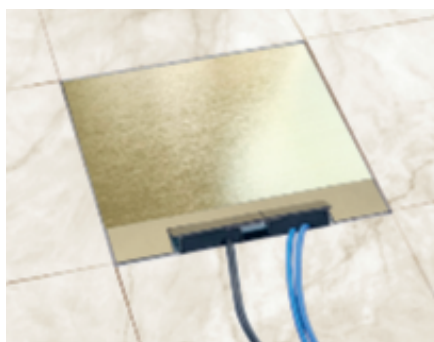
Key or screwdriver versions (only on plastic floor boxes)

EASY TO OPEN
Ergonomic handle or metal button, for unrestricted use

DISCREET, FLAWLESS INTEGRATION



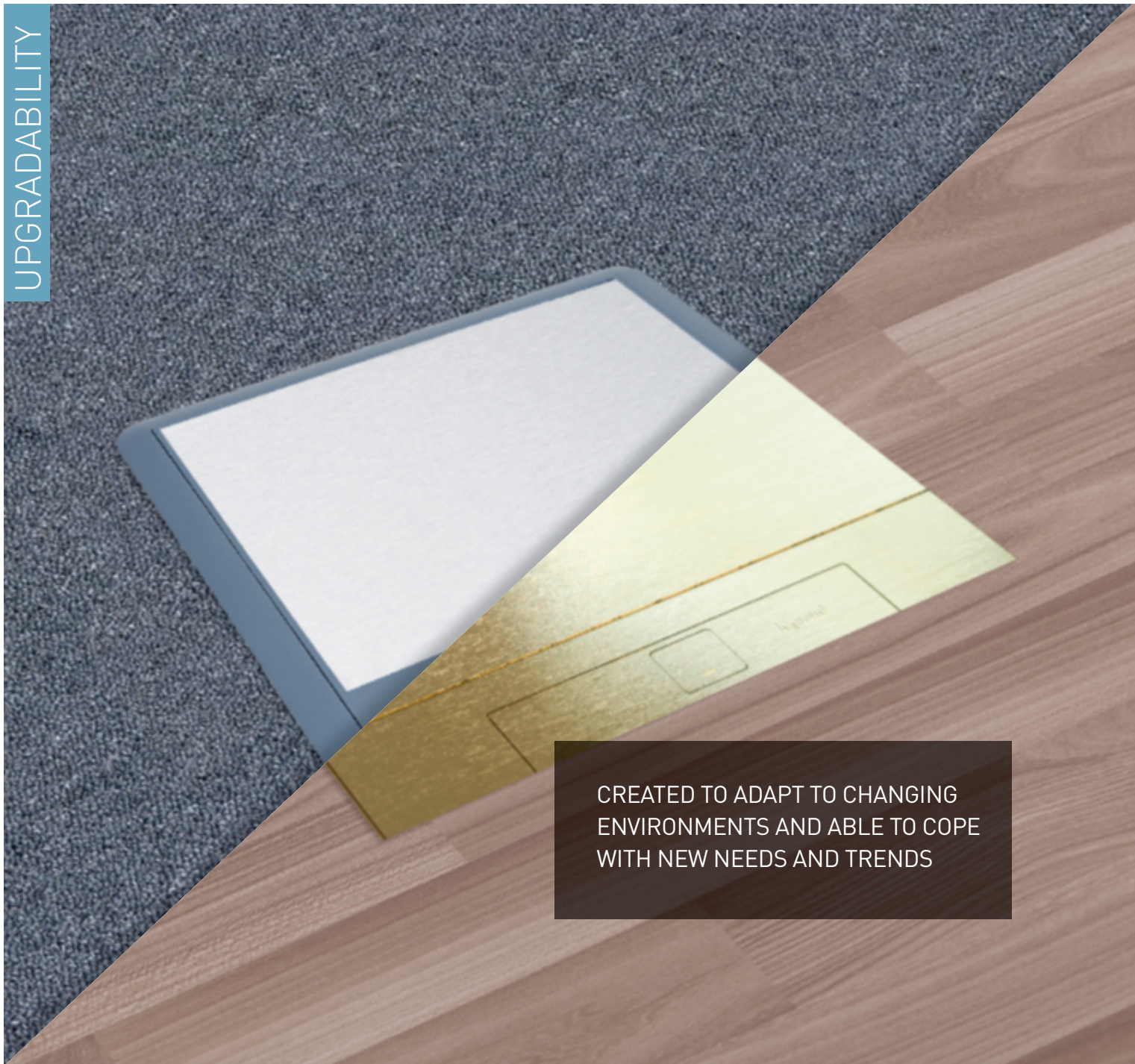
Standard version, stainless steel cover.



Flush version, brass cover.



Round version, plastic cover.



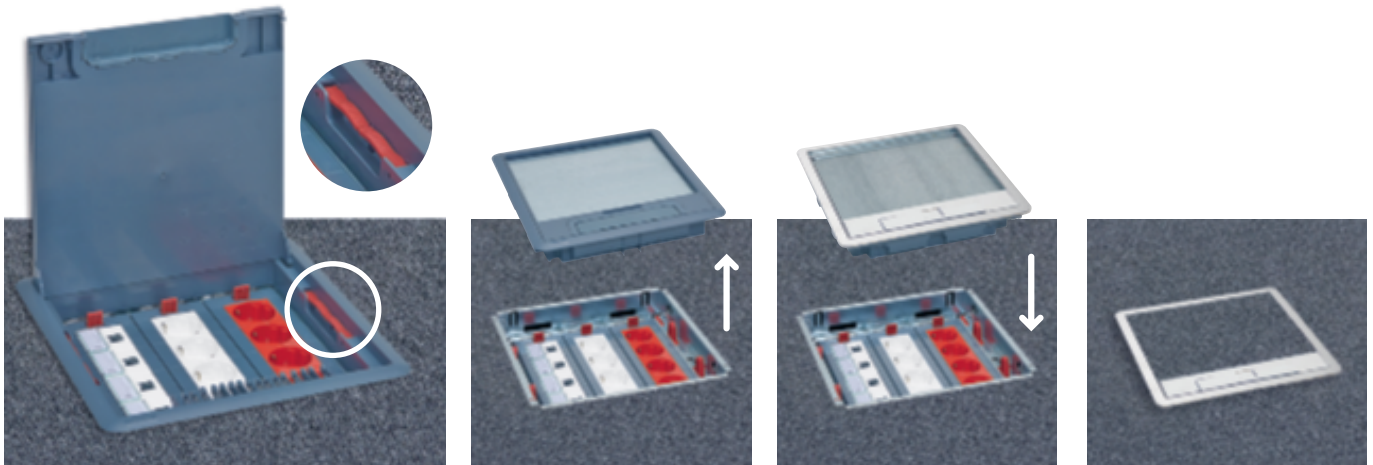
CREATED TO ADAPT TO CHANGING ENVIRONMENTS AND ABLE TO COPE WITH NEW NEEDS AND TRENDS

A RANGE WHICH CAN ADAPT TO CHANGE

To cope with any situation

Range specially designed to allow maximum customisation, so as to adapt to any project (size, mounting type, finish, etc). For easier installation, the floor boxes can also be changed if, for example, there is a change of environment (floor type, decorative finish, etc).

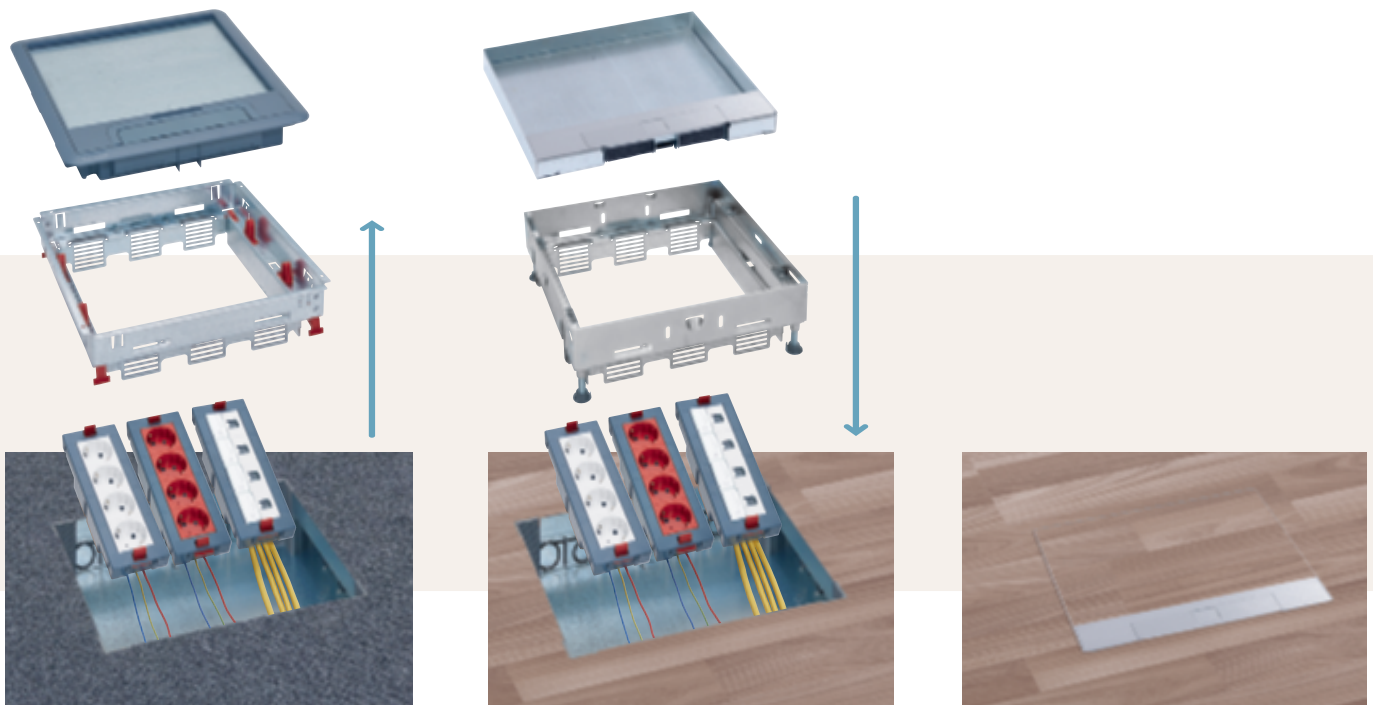
TOOLLESS COVER REPLACEMENT



Specially designed grips for removing the cover in a single action.

The new cover snaps into the support kit, without touching the wiring.

CHANGE THE BOX TYPE WITHOUT TOUCHING THE WIRING, IF A NEW FLOOR COVERING IS LAID



STANDARD FLOOR BOX
The cover, supports equipped with sockets and support kit simply snap in place without tools. No need to touch the socket wiring.

FLUSH FLOOR BOX
The new support kit and cover are fitted in the same flush-mounting box and take the same supports equipped with sockets.

3-module floor boxes and floor cable grommets



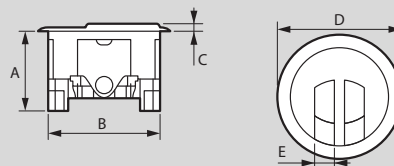
Pack	Cat.No	3-module floor boxes
1	0 896 44	For integration in raised floors or concrete floors (minimum height required 80 mm) 3-module floor box To be fitted with 1 Mosaic 2-module 2P+E socket and 1 Mosaic 1-module RJ 45 socket Colour RAL 7031 grey
1	0 896 49	Conform to standard NF EN 60670-23 Concrete flush-mounting box for box Cat.No 0 896 44
1	0 893 07	Floor cable grommet Used to run cables from the raised floor to the offices (25 to 55 mm) IP 20 - IK 08 Body made of 2 aluminium and polyester sections with seal 3 outputs Ø20 mm Cut-out dimensions: Ø127 mm Surround dimensions: Ø144 mm Flush-mounting depth: 60 mm

3-module floor boxes and floor cable grommets - technical characteristics

3-module floor boxes

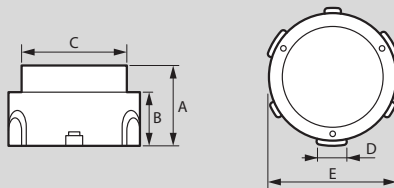
Dimensions

Cat.No 0 896 44



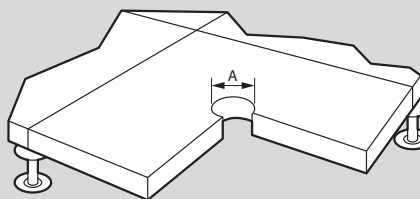
A (mm)	B (mm)	C (mm)	D (mm)	E (mm)
65	85	5,5	110	18

Cat.No 0 896 49



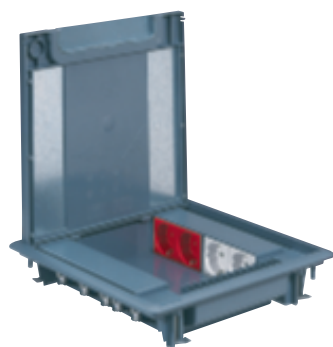
A (mm)	B (mm)	C (mm)	D (mm)	E (mm)
76	51	94	22,5	136

Cut-out for installation in raised floor



Cat.No	A (mm)
0 896 44	90
0 896 49	95

"Reduced height" floor boxes



0 880 70 equipped with Mosaic sockets

Pack	Cat.No	50 mm "reduced height" floor boxes
1	0 880 70	16 modules For raised or screed floor between 50 and 70 mm Workstation connection for raised or concrete floors To be used with backbox Cat.No 0 880 73 (in concrete floors) or with insulation box Cat.No 0 880 71 (in raised floors) (see below) Supplied with cover for carpet Vertical wiring device positioning Ensures perfect cable separation Easy opening cover by handle To be equipped with Mosaic or Arteor wiring accessories With cover for carpet, grey RAL 7031 Can be equipped with stainless steel finishing plate Cat.No 0 880 72
1	0 880 72	Stainless steel finishing plate For 50 mm reduced height floor box Cat.No 0 880 70
		Backboxes for shallow concrete floor and insulation boxes for raised floor For integration of 50 mm "reduced height" floor boxes Cat.No 0 880 70 (see above) in raised or screed floor installations Power supply by flexible conduits Ø16, 20 and 25 mm or floor trunking 28 mm height
1	0 880 73	Backbox for shallow concrete floor
1	0 880 71	Insulation box for raised floors

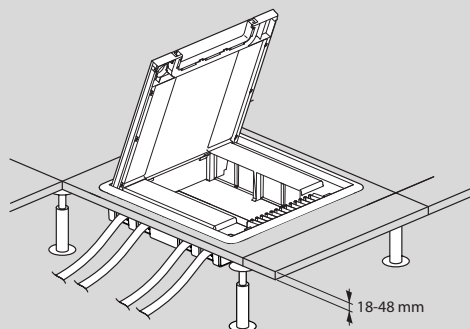
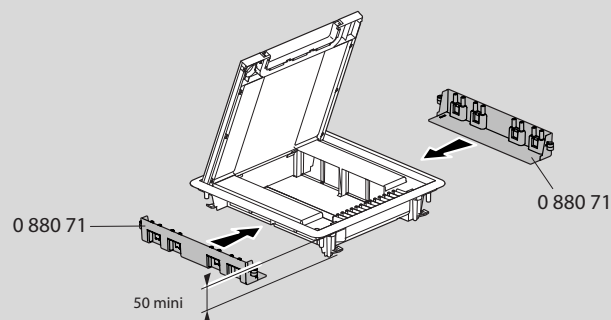
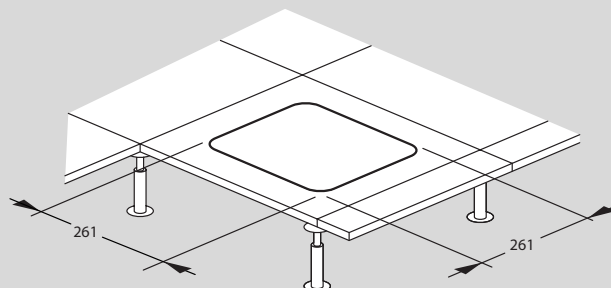
"Reduced height" floor boxes

technical characteristics

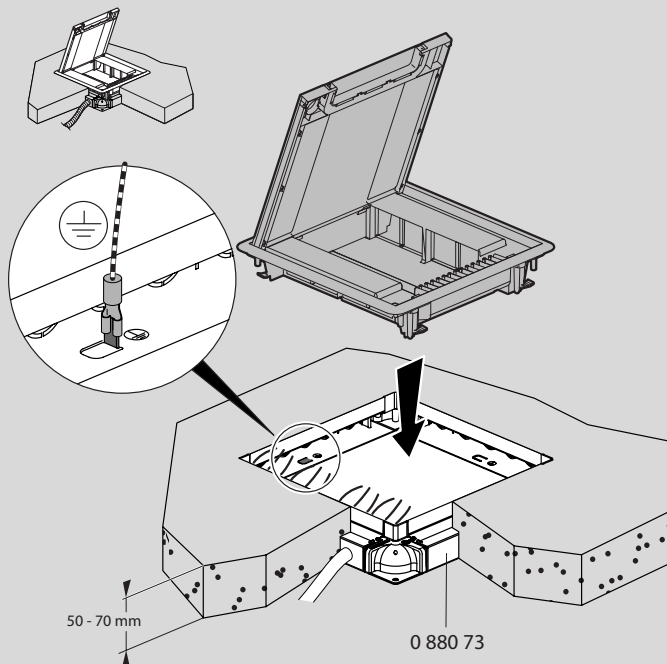
"Reduced height" floor boxes

Installation principle

Installation in raised floor


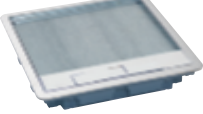

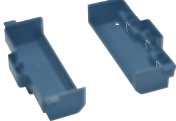

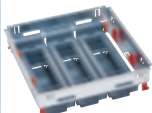
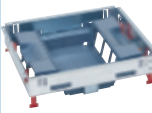



Installation in concrete floor

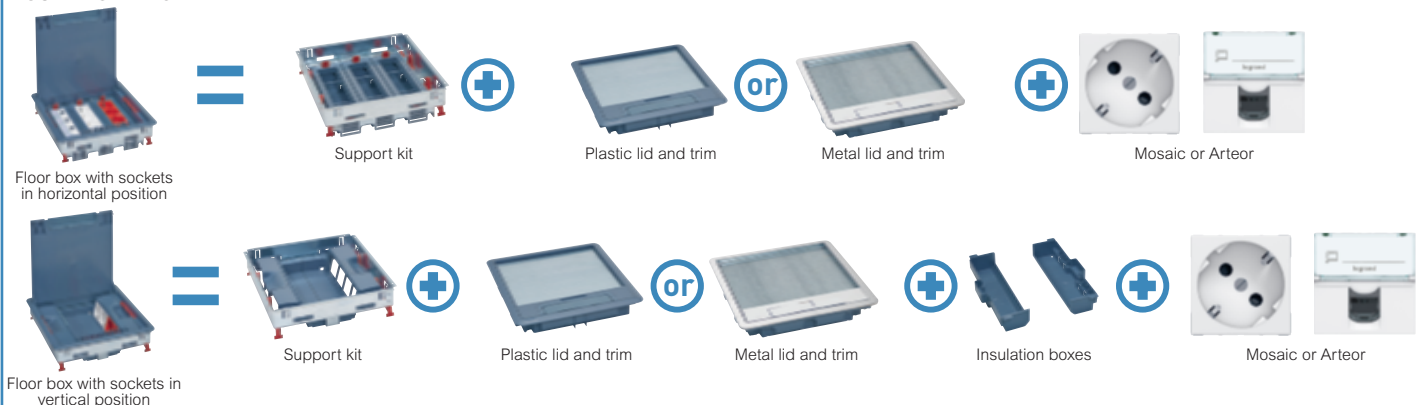


Standard version floor boxes for raised floor

selection chart


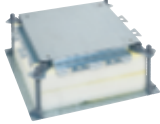

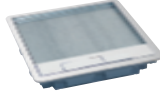

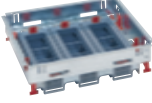

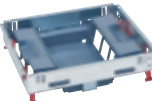
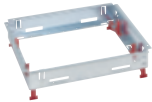
SOCKET MOUNTING POSITION	CAPACITY	FLOOR BOX SUPPORT KITS	LIDS & TRIMS FLOORING THICKNESS ≤ 8 mm		FINISHING PLATES (optional)		INSULATION BOXES
							
 H min: 80 mm	12 (3 x 4) modules	0 880 20	Plastic	0 880 00	Stainless steel	0 880 15	-
			Metal	Stainless steel	0 880 03	Stainless steel	
	Brass	0 880 06		Brass	0 880 48		
	18 (3 x 6) modules	0 880 21	Plastic	0 880 01	Stainless steel	0 880 16	-
			Metal	Stainless steel	0 880 04	Stainless steel	
	Brass	0 880 07		Brass	0 880 49		
24 (3 x 8) modules	0 880 22	Plastic	0 880 02	Stainless steel	0 880 17	-	
		Metal	Stainless steel	0 880 05	Stainless steel		0 880 47
Brass	0 880 08		Brass	0 880 50			
 H: 96 mm	12 (3 x 4) modules	0 880 30	Plastic	0 880 00	Stainless steel	0 880 15	-
			Metal	Stainless steel	0 880 03	Stainless steel	
	Brass	0 880 06		Brass	0 880 48		
	18 (3 x 6) modules	0 880 31	Plastic	0 880 01	Stainless steel	0 880 16	-
			Metal	Stainless steel	0 880 04	Stainless steel	
	Brass	0 880 07		Brass	0 880 49		
24 (3 x 8) modules	0 880 32	Plastic	0 880 02	Stainless steel	0 880 17	-	
		Metal	Stainless steel	0 880 05	Stainless steel		0 880 47
Brass	0 880 08		Brass	0 880 50			
 H min: 83 mm	8 (2 x 4) modules	0 880 23	Plastic	0 880 00	Stainless steel	0 880 15	0 880 26
			Metal	Stainless steel	0 880 03	Stainless steel	
	Brass	0 880 06		Brass	0 880 48		
	12 (2 x 6) modules	0 880 24	Plastic	0 880 01	Stainless steel	0 880 16	0 880 27
			Metal	Stainless steel	0 880 04	Stainless steel	
	Brass	0 880 07		Brass	0 880 49		
16 (2 x 8) modules	0 880 25	Plastic	0 880 02	Stainless steel	0 880 17	0 880 28	
		Metal	Stainless steel	0 880 05	Stainless steel		0 880 47
Brass	0 880 08		Brass	0 880 50			
 H min: 65 mm	For lid and trim with 8/12 modules	0 880 39	Plastic	0 880 00	Stainless steel	0 880 15	-
			Metal	Stainless steel	0 880 03	Stainless steel	
	Brass	0 880 06		Brass	0 880 48		
	For lid and trim with 12/18 modules	0 880 40	Plastic	0 880 01	Stainless steel	0 880 16	-
			Metal	Stainless steel	0 880 04	Stainless steel	
	Brass	0 880 07		Brass	0 880 49		
For lid and trim with 16/24 modules	0 880 41	Plastic	0 880 02	Stainless steel	0 880 17	-	
		Metal	Stainless steel	0 880 05	Stainless steel		0 880 47
Brass	0 880 08		Brass	0 880 50			

MOUNTING PRINCIPLE

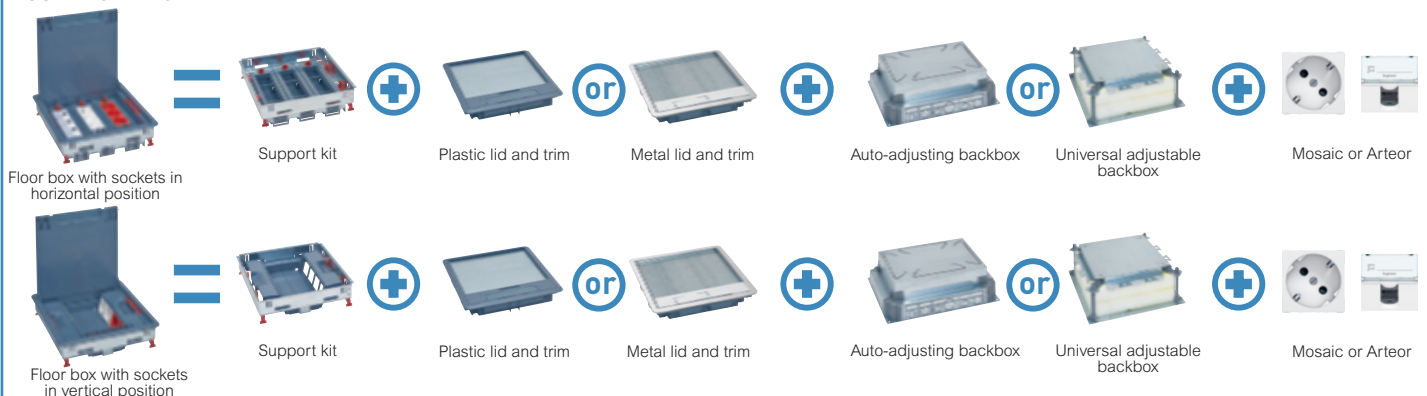


Standard version floor boxes for concrete floor

selection chart

SOCKET MOUNTING POSITION	CAPACITY	FLOOR BOX SUPPORT KITS	BACKBOXES		LIDS & TRIMS FLOORING THICKNESS ≤ 8 MM		FINISHING PLATES (OPTIONAL)	
			AUTO-ADJUSTING BACKBOX FOR SCREED HEIGHT UP TO 90 MM	UNIVERSAL ADJUSTABLE BACKBOX FOR SCREED HEIGHT UP TO 125 MM				
			 0 880 91	 0 880 80	 0 880 02	 0 880 05	 0 880 47	
 H min: 80 mm	12 (3 x 4) modules	0 880 20	0 880 90 ⁽¹⁾ screed height ≥ 80 mm	0 880 80 + 0 880 81 screed height ≥ 100 mm	Plastic	0 880 00	ST steel ⁽²⁾	0 880 15
					Metal	ST steel ⁽²⁾	0 880 03	ST steel ⁽²⁾
	18 (3 x 6) modules	0 880 21	0 880 91 ⁽¹⁾ screed height ≥ 80 mm	0 880 80 + 0 880 82 screed height ≥ 100 mm	Plastic	0 880 01	ST steel ⁽²⁾	0 880 16
					Metal	ST steel ⁽²⁾	0 880 04	ST steel ⁽²⁾
	24 (3 x 8) modules	0 880 22	0 880 92 ⁽¹⁾ screed height ≥ 80 mm	0 880 80 + 0 880 83 screed height ≥ 100 mm	Plastic	0 880 02	ST steel ⁽²⁾	0 880 17
					Metal	ST steel ⁽²⁾	0 880 05	ST steel ⁽²⁾
 H: 96 mm	12 (3 x 4) modules	0 880 30	-	0 880 80 + 0 880 81	Plastic	0 880 00	ST steel ⁽²⁾	0 880 15
					Metal	ST steel ⁽²⁾	0 880 03	ST steel ⁽²⁾
	18 (3 x 6) modules	0 880 31	-	0 880 80 + 0 880 82	Plastic	0 880 01	ST steel ⁽²⁾	0 880 16
					Metal	ST steel ⁽²⁾	0 880 04	ST steel ⁽²⁾
	24 (3 x 8) modules	0 880 32	-	0 880 80 + 0 880 83	Plastic	0 880 02	ST steel ⁽²⁾	0 880 17
					Metal	ST steel ⁽²⁾	0 880 05	ST steel ⁽²⁾
 H min: 68 mm	8 (2 x 4) modules	0 880 23	0 880 90	OR 0 880 80 + 0 880 81	Plastic	0 880 00	ST steel ⁽²⁾	0 880 15
					Metal	ST steel ⁽²⁾	0 880 03	ST steel ⁽²⁾
	12 (2 x 6) modules	0 880 24	0 880 91	OR 0 880 80 + 0 880 82	Plastic	0 880 01	ST steel ⁽²⁾	0 880 16
					Metal	ST steel ⁽²⁾	0 880 04	ST steel ⁽²⁾
	16 (2 x 8) modules	0 880 25	0 880 92	OR 0 880 80 + 0 880 83	Plastic	0 880 02	ST steel ⁽²⁾	0 880 17
					Metal	ST steel ⁽²⁾	0 880 05	ST steel ⁽²⁾
 H min: 65 mm	For lid and trim with 8/12 modules	0 880 39	0 880 90	OR 0 880 80 + 0 880 81	Plastic	0 880 00	ST steel ⁽²⁾	0 880 15
					Metal	ST steel ⁽²⁾	0 880 03	ST steel ⁽²⁾
	For lid and trim with 12/18 modules	0 880 40	0 880 91	OR 0 880 80 + 0 880 82	Plastic	0 880 01	ST steel ⁽²⁾	0 880 16
					Metal	ST steel ⁽²⁾	0 880 04	ST steel ⁽²⁾
	For lid and trim with 16/24 modules	0 880 41	0 880 92	OR 0 880 80 + 0 880 83	Plastic	0 880 02	ST steel ⁽²⁾	0 880 17
					Metal	ST steel ⁽²⁾	0 880 05	ST steel ⁽²⁾


MOUNTING PRINCIPLE



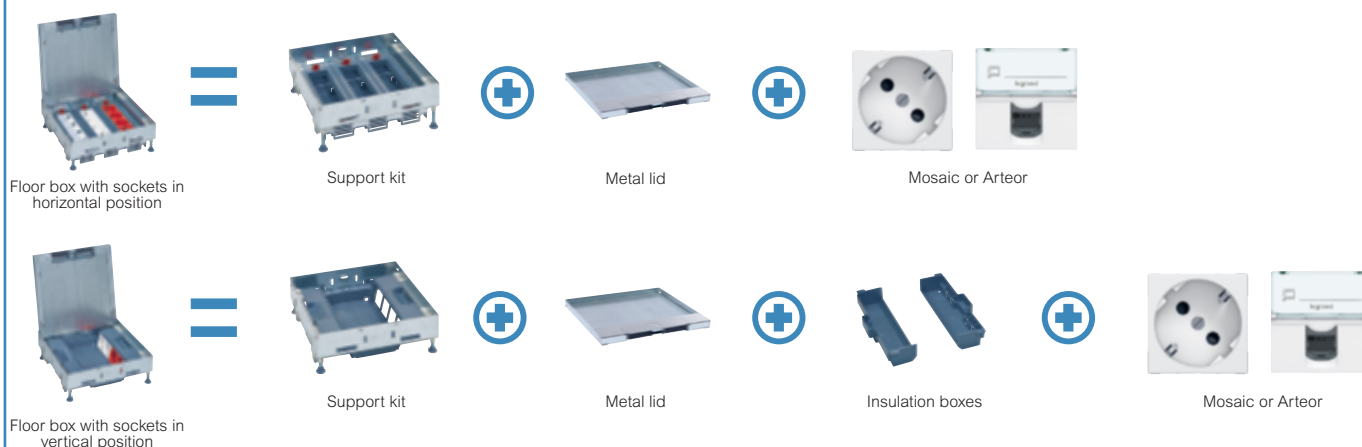
1: Not possible to use straight plugs - 2: Stainless Steel finish

Flush version floor boxes for raised floor

selection chart

SOCKET MOUNTING POSITION	CAPACITY	FLOOR BOX SUPPORT KITS	LID FLOORING THICKNESS ≤ 15 MM		FINISHING PLATES (OPTIONAL)		INSULATION BOXES
				Metal lid Cat.No 0 881 05 + kit Cat.No 0 881 41		0 880 47	
Adjustable horizontal  H min: 92 mm (final coating included)	12 (3 x 4) modules	0 881 20	Stainless steel	0 881 03	Stainless steel	0 881 45	-
			Brass	0 881 06	Brass	0 881 48	
	18 (3 x 6) modules	0 881 21	Stainless steel	0 881 04	Stainless steel	0 881 46	-
			Brass	0 881 07	Brass	0 881 49	
	24 (3 x 8) modules	0 881 22	Stainless steel	0 881 05	Stainless steel	0 881 47	-
			Brass	0 881 08	Brass	0 881 50	
Vertical  H min: 92 mm (final coating included)	8 (2 x 4) modules	0 881 23	Stainless steel	0 881 03	Stainless steel	0 881 45	0 880 26
			Brass	0 881 06	Brass	0 881 48	
	12 (2 x 6) modules	0 881 24	Stainless steel	0 881 04	Stainless steel	0 881 46	0 880 27
			Brass	0 881 07	Brass	0 881 49	
	16 (2 x 8) modules	0 881 25	Stainless steel	0 881 05	Stainless steel	0 881 47	0 880 28
			Brass	0 881 08	Brass	0 881 50	
Access covers  H min: 80 mm (final coating included)	For lid 8/12 modules	0 881 39	Stainless steel	0 881 03	Stainless steel	0 881 45	-
			Brass	0 881 06	Brass	0 881 48	
	For lid 12/18 modules	0 881 40	Stainless steel	0 881 04	Stainless steel	0 881 46	-
			Brass	0 881 07	Brass	0 881 49	
	For lid 16/24 modules	0 881 41	Stainless steel	0 881 05	Stainless steel	0 881 47	-
			Brass	0 881 08	Brass	0 881 50	

MOUNTING PRINCIPLE

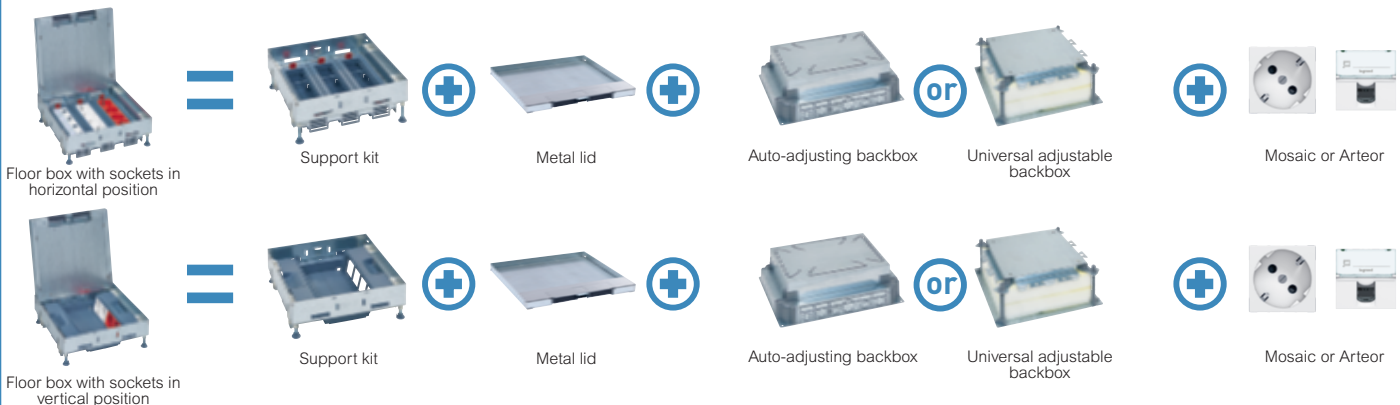


Flush version floor boxes for concrete floor

selection chart

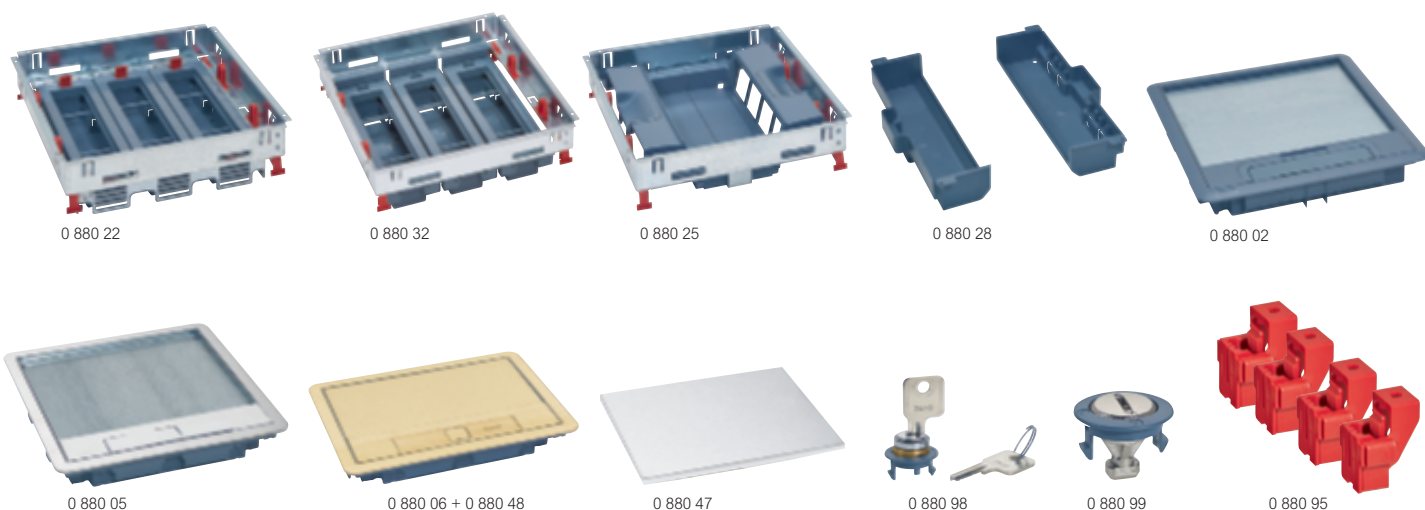
SOCKET MOUNTING POSITION	CAPACITY	FLOOR BOX SUPPORT KIT	BACKBOXES		LID FLOORING THICKNESS ≤ 15 MM		FINISHING PLATE (OPTIONAL)	
			AUTO-ADJUSTING BACKBOX FOR SCREED HEIGHT UP TO 90 MM	UNIVERSAL ADJUSTABLE BACKBOX FOR SCREED HEIGHT UP TO 125 MM				
Adjustable horizontal 	12 (3 x 4) modules	0 881 20	0 880 90 ⁽¹⁾ height (screed + coating) ≥ 92 mm	0 880 80 + 0 880 81 height (screed + coating) ≥ 100 mm	Stainless steel	0 881 03	Stainless steel	0 881 45
					Brass	0 881 06	Brass	0 881 48
	18 (3 x 6) modules	0 881 21	0 880 90 ⁽¹⁾ height (screed + coating) ≥ 92 mm	0 880 80 + 0 880 82 height (screed + coating) ≥ 100 mm	Stainless steel	0 881 04	Stainless steel	0 881 46
					Brass	0 881 07	Brass	0 881 49
	24 (3 x 8) modules	0 881 22	0 880 90 ⁽¹⁾ height (screed + coating) ≥ 92 mm	0 880 80 + 0 880 83 height (screed + coating) ≥ 100 mm	Stainless steel	0 881 05	Stainless steel	0 881 47
					Brass	0 881 08	Brass	0 881 50
Vertical 	8 (2 x 4) modules	0 881 23	0 880 90	OR 0 880 80 + 0 880 81	Stainless steel	0 881 03	Stainless steel	0 881 45
					Brass	0 881 06	Brass	0 881 48
	12 (2 x 6) modules	0 881 24	0 880 91	OR 0 880 80 + 0 880 82	Stainless steel	0 881 04	Stainless steel	0 881 46
					Brass	0 881 07	Brass	0 881 49
	16 (2 x 8) modules	0 881 25	0 880 92	OR 0 880 80 + 0 880 83	Stainless steel	0 881 05	Stainless steel	0 881 47
					Brass	0 881 08	Brass	0 881 50
Access cover 	For lid 8/12 modules	0 881 39	0 880 90	OR 0 880 80 + 0 880 81	Stainless steel	0 881 03	Stainless steel	0 881 45
					Brass	0 881 06	Brass	0 881 48
	For lid 12/18 modules	0 881 40	0 880 91	OR 0 880 80 + 0 880 82	Stainless steel	0 881 04	Stainless steel	0 881 46
					Brass	0 881 07	Brass	0 881 49
	For lid 16/24 modules	0 881 41	0 880 92	OR 0 880 80 + 0 880 83	Stainless steel	0 881 05	Stainless steel	0 881 47
					Brass	0 881 08	Brass	0 881 50

MOUNTING PRINCIPLE



1: Not possible to use straight plugs

Standard version floor boxes for raised or concrete floor



Selection charts **p. 14-15**
 Technical characteristics **p. 22-26**

Conform to standard IEC/EN 60670-23

Pack	Cat.Nos	Support kits for floor boxes
		To be equipped with Mosaic or Arteur sockets Equipped with support frames for wiring accessories
		For sockets in horizontal position - adjustable height Can be installed directly in the raised floor For concrete floors, use auto-adjusting backboxes Cat.Nos 0 880 90/91/92 (p. 21) or universal adjustable backbox Cat.No 0 880 80 and adaptors Cat.Nos 0 880 81/82/83 (p. 21) or renovation backboxes Cat.Nos 0 891 90/91/92 (p. 21)
1	0 880 20	12 (3 x 4) modules
1	0 880 21	18 (3 x 6) modules
1	0 880 22	24 (3 x 8) modules
		For sockets in horizontal position - fixed height (96 mm) Can be installed directly in the raised floor For concrete floors, use universal adjustable backbox Cat.No 0 880 80 and adaptors Cat.Nos 0 880 81/82/83 (p. 21) or renovation backboxes Cat.Nos 0 891 90/91/92 (p. 21)
1	0 880 30	12 (3 x 4) modules
1	0 880 31	18 (3 x 6) modules
1	0 880 32	24 (3 x 8) modules
		For sockets in vertical position For raised floors, use electrical insulation kits Cat.Nos 0 880 26/27/28 For concrete floors, use auto-adjusting backboxes Cat.Nos 0 880 90/91/92 (p. 21) or universal adjustable backbox Cat.No 0 880 80 and adaptors Cat.Nos 0 880 81/82/83 (p. 21) or renovation backboxes Cat.Nos 0 891 90/91/92 (p. 21)
1	0 880 23	8 (2 x 4) modules
1	0 880 24	12 (2 x 6) modules
1	0 880 25	16 (2 x 8) modules
		Electrical insulation kits for raised floor
1	0 880 26	For 8 (2 x 4) module kits Cat.Nos 0 880 23 / 0 881 23
1	0 880 27	For 12 (2 x 6) module kits Cat.Nos 0 880 24 / 0 881 24
1	0 880 28	For 16 (2 x 8) module kits Cat.Nos 0 880 25 / 0 881 25

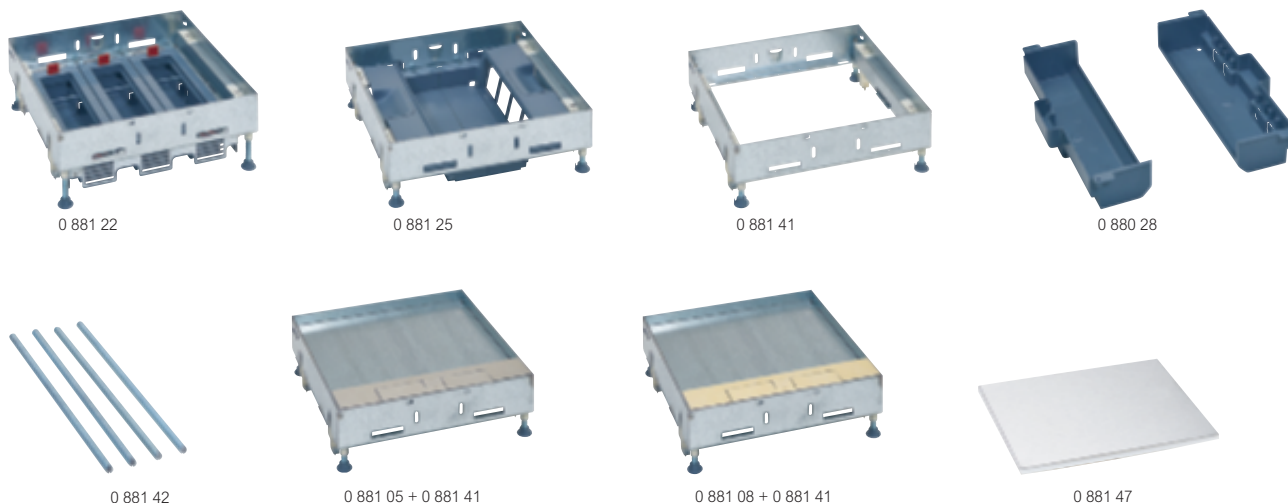
Pack	Cat.Nos	Kits for access covers
		Can be installed directly in the raised floor For concrete floors, use auto-adjusting backboxes Cat.Nos 0 880 90/91/92 (p. 21) or universal adjustable backbox Cat.No 0 880 80 and adaptors Cat.Nos 0 880 81/82/83 (p. 21) or renovation backboxes Cat.Nos 0 891 90/91/92 (p. 21)
		For lid and trim
1	0 880 39	8/12 modules - Cat.Nos 0 880 00/03/06
1	0 880 40	12/18 modules - Cat.Nos 0 880 01/04/07
1	0 880 41	16/24 modules - Cat.Nos 0 880 02/05/08

Pack	Cat.Nos	Lids and trims for standard version floor boxes
		Plastic lids and trims For floor box:
1	0 880 00	8/12 modules - Cat.Nos 0 880 20/23/39
1	0 880 01	12/18 modules - Cat.Nos 0 880 21/24/40
1	0 880 02	16/24 modules - Cat.Nos 0 880 22/25/41
		Metal lids and trims with stainless steel coating
1	0 880 03	8/12 modules - Cat.Nos 0 880 20/23/39
1	0 880 04	12/18 modules - Cat.Nos 0 880 21/24/40
1	0 880 05	16/24 modules - Cat.Nos 0 880 22/25/41
		Metal lids and trims with brass coating
1	0 880 06	8/12 modules - Cat.Nos 0 880 20/23/39
1	0 880 07	12/18 modules - Cat.Nos 0 880 21/24/40
1	0 880 08	16/24 modules - Cat.Nos 0 880 22/25/41
		Finishing plates
		For plastic lids and trims - stainless steel finish
1	0 880 15	8/12 modules
1	0 880 16	12/18 modules
1	0 880 17	16/24 modules
		For metal lids and trims - stainless steel finish
1	0 880 45	8/12 modules
1	0 880 46	12/18 modules
1	0 880 47	16/24 modules
		For metal lids and trims - brass finish
1	0 880 48	8/12 modules
1	0 880 49	12/18 modules
1	0 880 50	16/24 modules
		Locking accessories for plastic lids and trims
1	0 880 98	With key
1	0 880 99	Without key
		Additional fixing kit for standard floor boxes
1	0 880 95	Allows the floor to be clamped, when necessary Fixing kit containing 4 claws

Backboxes for concrete floor **p. 21**

Colour of finish, lock on metal cover and prewired solutions: **please consult us**

Flush version floor boxes for raised or concrete floor



Selection charts **p. 16-17**
 Technical characteristics **p. 27-29**

Conform to standard IEC/EN 60670-23
 Particularly suitable for tiled or marble floors

Pack	Cat.Nos	Support kits for floor boxes
		To be equipped with Mosaic or Arteor sockets Equipped with support frames for wiring accessories For sockets in horizontal position - adjustable height Can be installed directly in the raised floor For concrete floors, use auto-adjusting backboxes Cat.Nos 0 880 90/91/92 (p. 21) or universal adjustable backbox Cat.No 0 880 80 (p. 21) and adaptors Cat.Nos 0 880 81/82/83 (p. 21)
1	0 881 20	12 (3 x 4) modules
1	0 881 21	18 (3 x 6) modules
1	0 881 22	24 (3 x 8) modules
		For sockets in vertical position For raised floors, use electrical insulation kits Cat.Nos 0 880 26/27/28 For concrete floors, use auto-adjusting backboxes Cat.Nos 0 880 90/91/92 (p. 21) or universal adjustable backbox Cat.No 0 880 80 (p. 21) and adaptors Cat.Nos 0 880 81/82/83 (p. 21)
1	0 881 23	8 (2 x 4) modules
1	0 881 24	12 (2 x 6) modules
1	0 881 25	16 (2 x 8) modules
		Electrical insulation kits for raised floor
1	0 880 26	For 8 (2 x 4) module kits Cat.Nos 0 880 23 and 0 881 23
1	0 880 27	For 12 (2 x 6) module kits Cat.Nos 0 880 24 and 0 881 24
1	0 880 28	For 16 (2 x 8) module kits Cat.Nos 0 880 25 and 0 881 25
		Kits for access covers Can be installed directly in the raised floor For concrete floors, use auto-adjusting backboxes Cat.Nos 0 880 90/91/92 (p. 21) or universal adjustable backbox box Cat.No 0 880 80 (p. 21) and adaptors Cat.Nos 0 880 81/82/83 (p. 21) For lid
1	0 881 39	8/12 modules - Cat.Nos 0 881 03/06
1	0 881 40	12/18 modules - Cat.Nos 0 881 04/07
1	0 881 41	16/24 modules - Cat.Nos 0 881 05/08

Pack	Cat.Nos	Set of feet for H > 122 mm
1	0 881 42	4 screw-on feet For support kits Cat.Nos 0 881 20/21/22/23/24/25/39/40/41 Fitted instead of the original feet
		Lids for floor boxes (flush version) Installed on floor box support kits Metal lids with stainless steel coating For floor box:
1	0 881 03	8/12 modules - Cat.Nos 0 881 20/23/39
1	0 881 04	12/18 modules - Cat.Nos 0 881 21/24/40
1	0 881 05	16/24 modules - Cat.Nos 0 881 22/25/41
		Metal lids with brass coating
1	0 881 06	8/12 modules - Cat.Nos 0 881 20/23/39
1	0 881 07	12/18 modules - Cat.Nos 0 881 21/24/40
1	0 881 08	16/24 modules - Cat.Nos 0 881 22/25/41
		Finishing plates
		Stainless steel finish
1	0 881 45	8/12 modules
1	0 881 46	12/18 modules
1	0 881 47	16/24 modules
		Brass finish
1	0 881 48	8/12 modules
1	0 881 49	12/18 modules
1	0 881 50	16/24 modules

Round version floor boxes



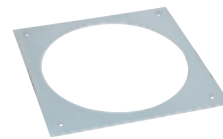
0 881 26



0 881 27



0 881 27 with carpet



0 880 89



0 881 44



0 880 98



0 880 99

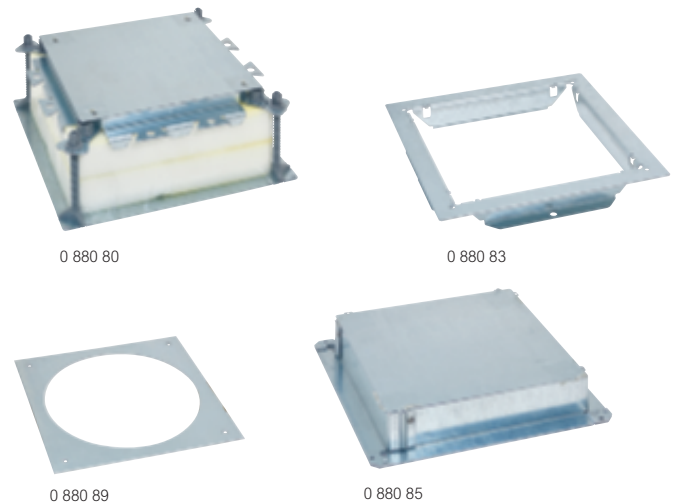
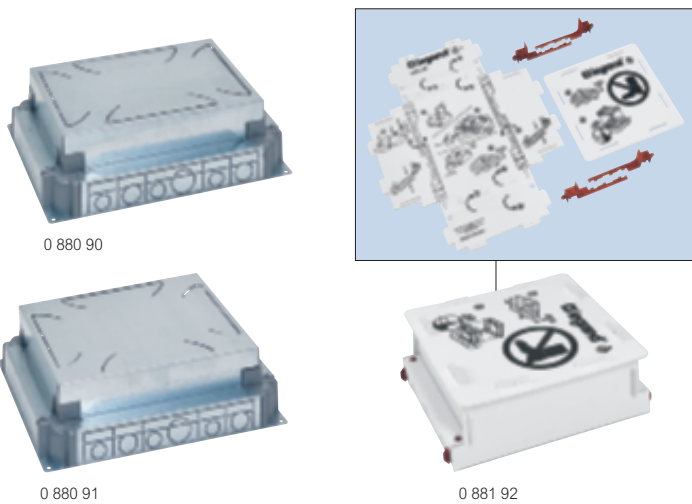
Technical characteristics **p. 30-32**

Conform to standard IEC/EN 60670-23

Pack	Cat.Nos		Pack	Cat.Nos	
		Floor boxes with plastic lid and trim			Finishing plate
		To be equipped with Mosaic or Arteor sockets Can be installed directly in the raised floor For concrete floors, use adaptor Cat.No 0 880 89 and universal adjustable backbox Cat.No 0 880 80 (p. 21) Equipped with support frames for wiring accessories	1	0 881 44	12/20 modules - stainless steel finish
1	0 881 26	For wiring accessories in horizontal position - adjustable height 20 modules	1	0 880 98	With key
1	0 881 27	For wiring accessories in vertical position 12 modules (takes up to 16 modules depending on configuration)	1	0 880 99	Without key
		Mounting adaptor for concrete floor			
1	0 880 89	For floor boxes (round version) 12/20 modules Mounted on universal adjustable backbox Cat.No 0 880 80			

Auto-adjusting and renovation backboxes for floor boxes and access covers

Universal adjustable backbox for floor boxes and access covers



Technical characteristics p. 32-33

Conform to standard IEC/EN 60670-23

Pack	Cat.Nos	Auto-adjusting backboxes for concrete floor
1	0 880 90	Screed height: 65 to 90 mm For floor boxes (standard or flush version) 8/12 modules Cat.Nos 0 880 20/30/23/39 and 0 881 20/23/39
1	0 880 91	12/18 modules Cat.Nos 0 880 21/31/24/40 and 0 881 21/24/40
1	0 880 92	16/24 modules Cat.Nos 0 880 22/32/25/41 and 0 881 22/25/41
Renovation backboxes for concrete floor		
Screed height: 70 to 110 mm Particularly adapted for renovation, as the box can be installed by leaning on the existing screed		
For standard version floor boxes only To be folded during installation		
1	0 881 90	8/12 modules Cat.Nos 0 880 20/30/23/39
1	0 881 91	12/18 modules Cat.Nos 0 880 21/31/24/40
1	0 881 92	16/24 modules Cat.Nos 0 880 22/32/25/41

Technical characteristics p. 34-35

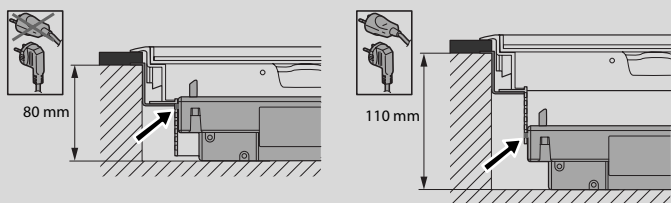
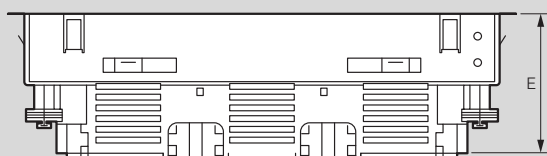
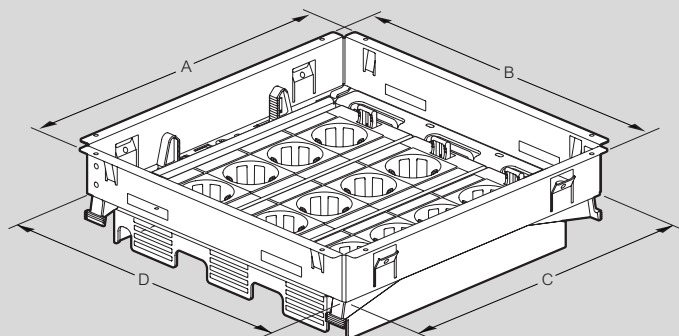
Conform to standard IEC/EN 60670-23

Pack	Cat.Nos	Universal adjustable backbox for concrete floor
1	0 880 80	Screed height: 55 to 125 mm
1	0 880 87	Spacer kit Height 250 mm
Mounting adaptors for concrete floor		
For standard or flush version floor boxes		
1	0 880 81	8/12 modules Cat.Nos 0 880 20/30/23/39 and 0 881 20/23/39
1	0 880 82	12/18 modules Cat.Nos 0 880 21/31/24/40 and 0 881 21/24/40
1	0 880 83	16/24 modules Cat.Nos 0 880 22/32/25/41 and 0 881 22/25/41
For round version floor boxes		
1	0 880 89	12/20 modules
Finishing kit for waxed concrete		
1	0 880 85	For 16/24-module standard version floor boxes

Standard version floor boxes - sockets in horizontal position - adjustable height

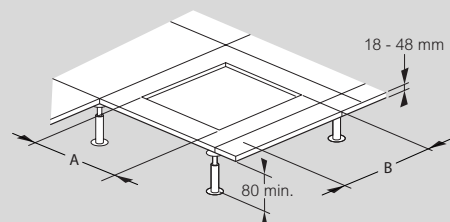
technical characteristics

■ Dimensions



Cat.No	A (mm)	B (mm)	C (mm)	D (mm)	E (mm)
0 880 20	199		181		
0 880 21	234	282	219	264	78
0 880 22	282		264		

■ For installation in raised floor

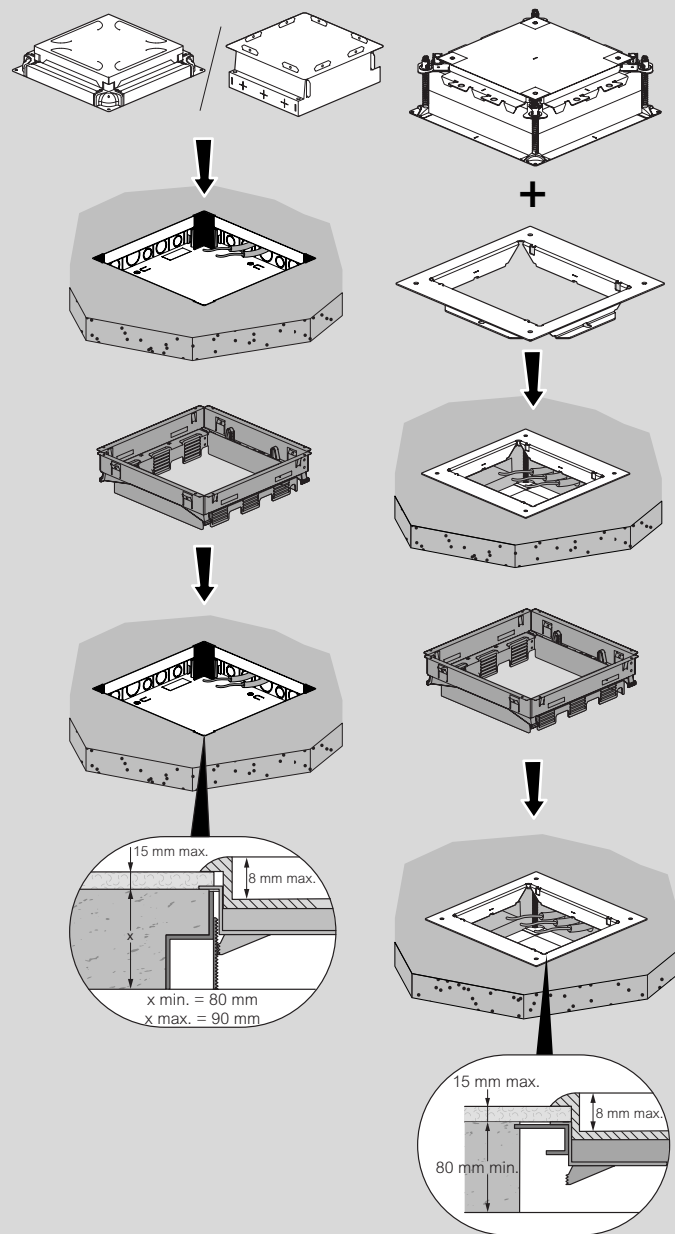


Cat.No	A (mm)	B (mm)
0 880 20	181	
0 880 21	219	264
0 880 22	264	

■ Installation principle in concrete floor

With auto-adjusting or renovation backbox

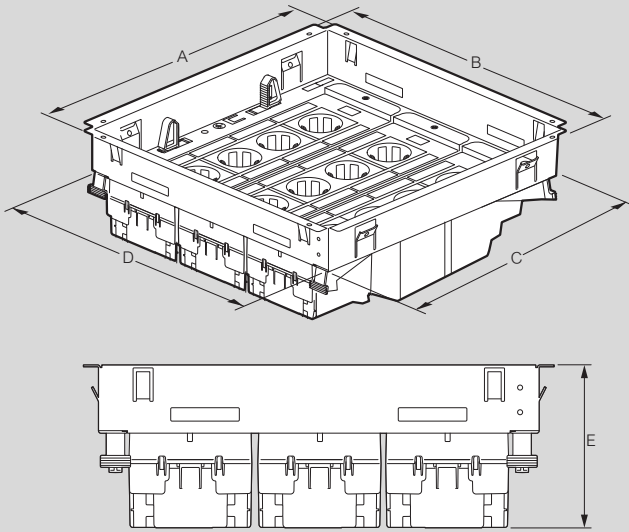
With universal adjustable backbox



Standard version floor boxes - sockets in horizontal position - fixed height

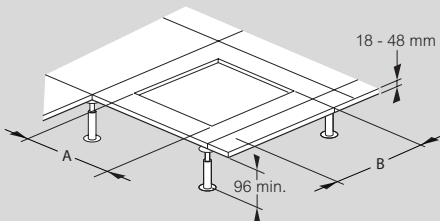
technical characteristics

■ Dimensions



Cat.No	A (mm)	B (mm)	C (mm)	D (mm)	E (mm)
0 880 30	199		181		
0 880 31	234	282	219	264	96
0 880 32	282		264		

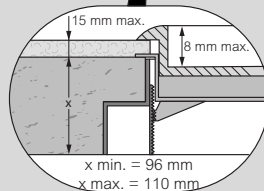
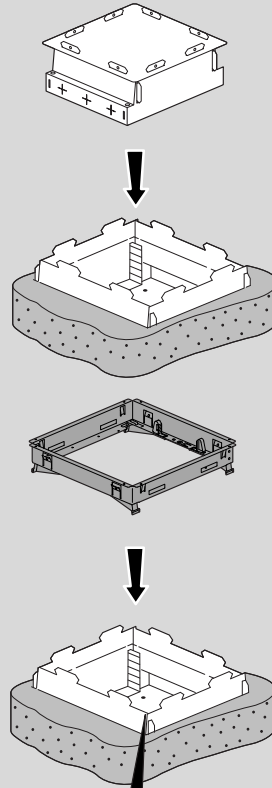
■ For installation in raised floor



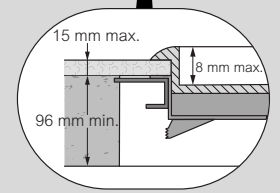
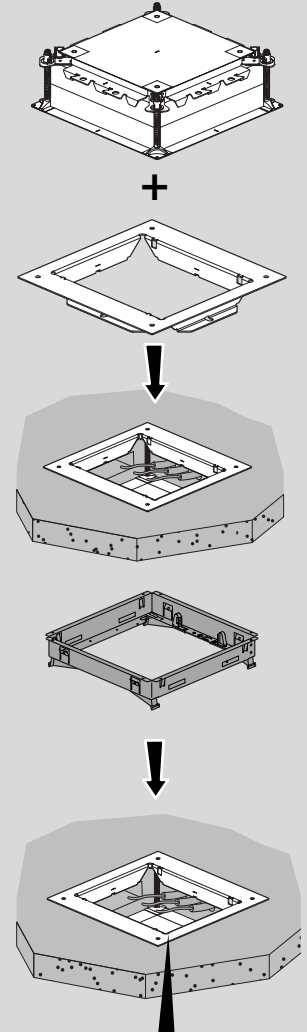
Cat.No	A (mm)	B (mm)
0 880 30	181	
0 880 31	219	264
0 880 32	264	

■ Installation principle in concrete floor

With renovation
backbox



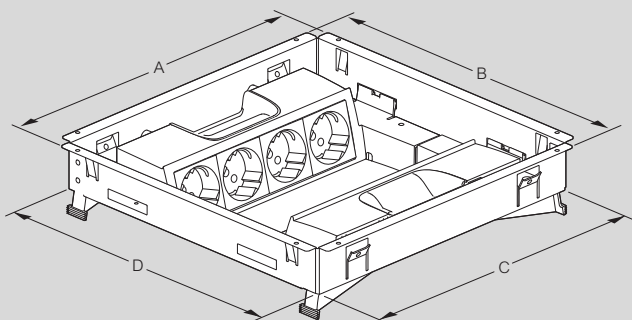
With universal adjustable
backbox



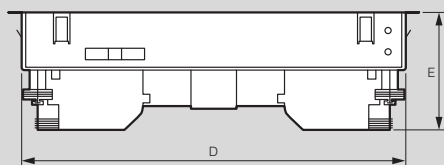
Standard version floor boxes - sockets in vertical position

technical characteristics

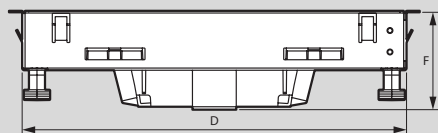
■ Dimensions



Installation in a raised floor with electrical insulation kits
Cat.Nos 0 880 26/27/28

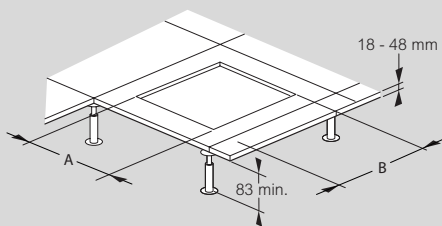


Installation in a backbox for concrete floor



Cat.No	A (mm)	B (mm)	C (mm)	D (mm)	E (mm)	F (mm)
0 880 23	199	282	181	264	81	67
0 880 24	237		219			
0 880 25	282		264			

■ For installation in raised floor

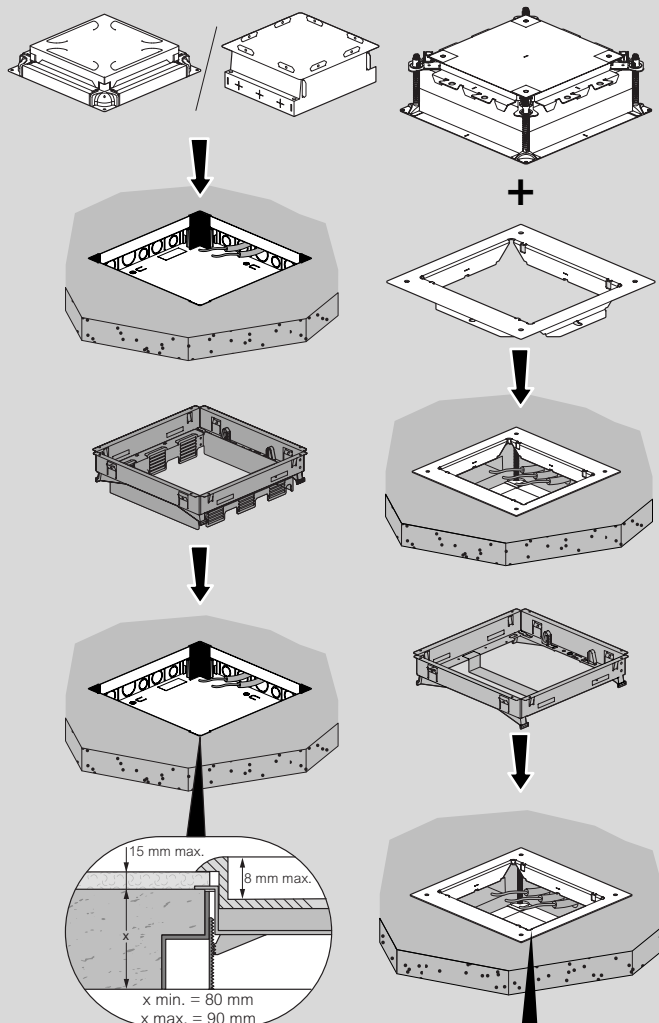


Cat.No	A (mm)	B (mm)
0 880 23	181	264
0 880 24	219	
0 880 25	264	

■ Installation principle in concrete floor

With auto-adjusting or renovation backbox

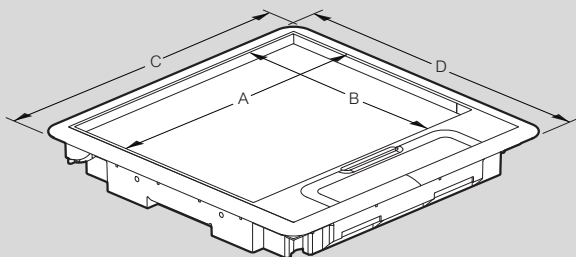
With universal adjustable backbox



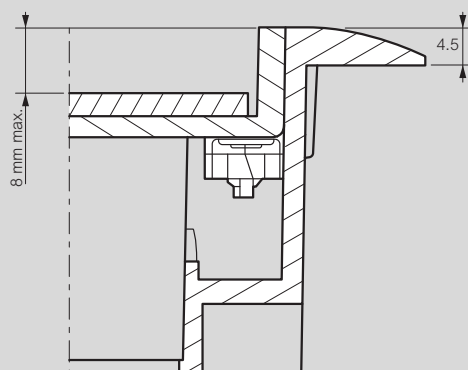
Standard version floor boxes - plastic lid and trim and finishing plate

technical characteristics

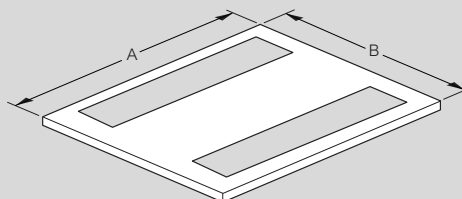
■ Dimensions



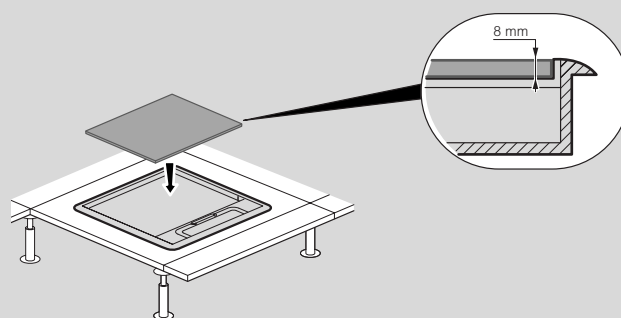
Cat.No	A (mm)	B (mm)	C (mm)	D (mm)
0 880 00		117		203
0 880 01	245	155	286	241
0 880 02		200		286



■ Dimensions



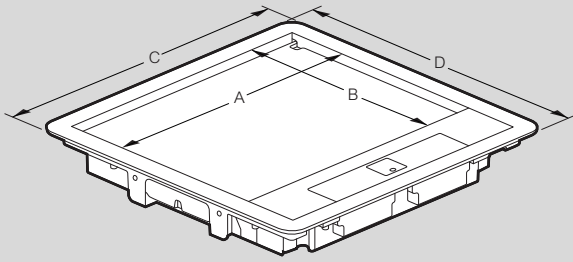
Cat.No	A (mm)	B (mm)
0 880 15		116
0 880 16	244	154
0 880 17		199



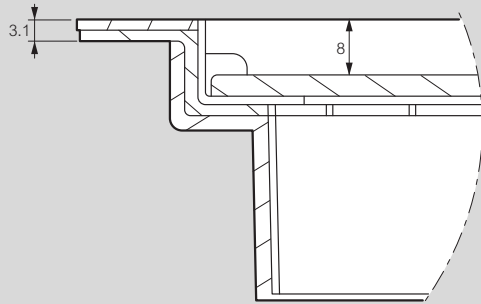
Standard version floor boxes - metal lid and trim and finishing plate

technical characteristics

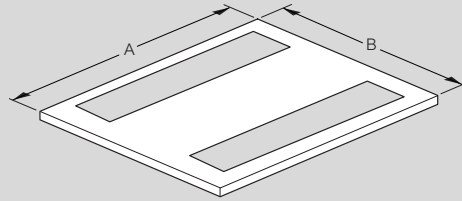
■ Dimensions



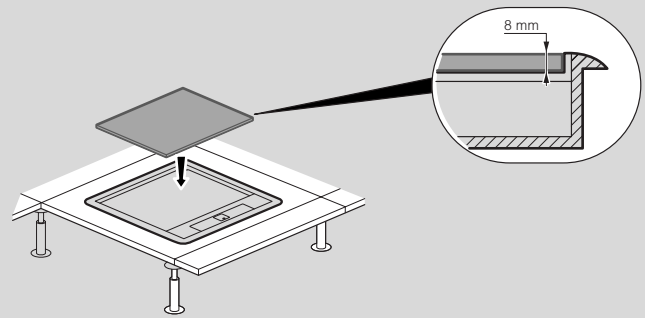
Cat.No	A (mm)	B (mm)	C (mm)	D (mm)
0 880 03/06	250	118	286	203
0 880 04/07		156		241
0 880 05/08		200		286



■ Dimensions



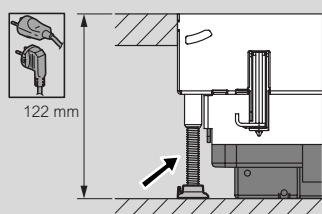
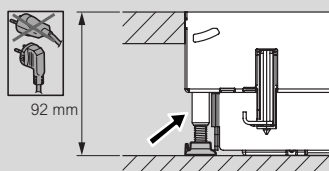
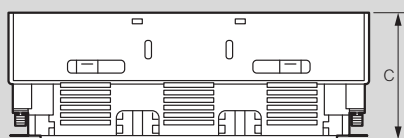
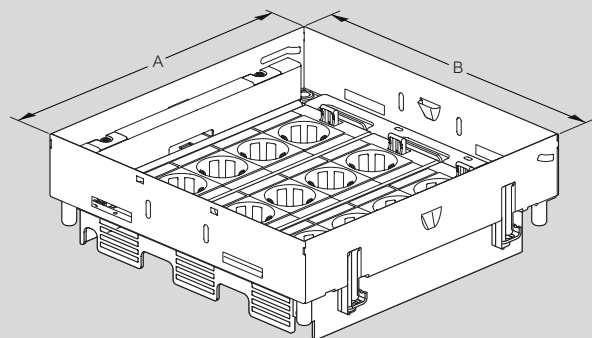
Cat.No	A (mm)	B (mm)
0 880 45/48	248	116
0 880 46/49		154
0 880 47/50		199



Flush version floor boxes - sockets in horizontal position

technical characteristics

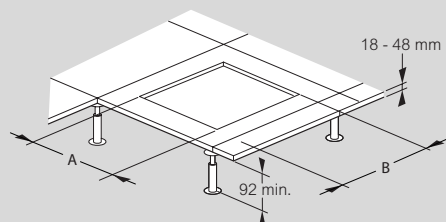
■ Dimensions



Cat.No	A (mm)	B (mm)	C (mm)
0 881 20	181	265	92
0 881 21	219		
0 881 22	264		

For heights of more than 122 mm, use feet
Cat.No 0 881 42

■ For installation in raised floor

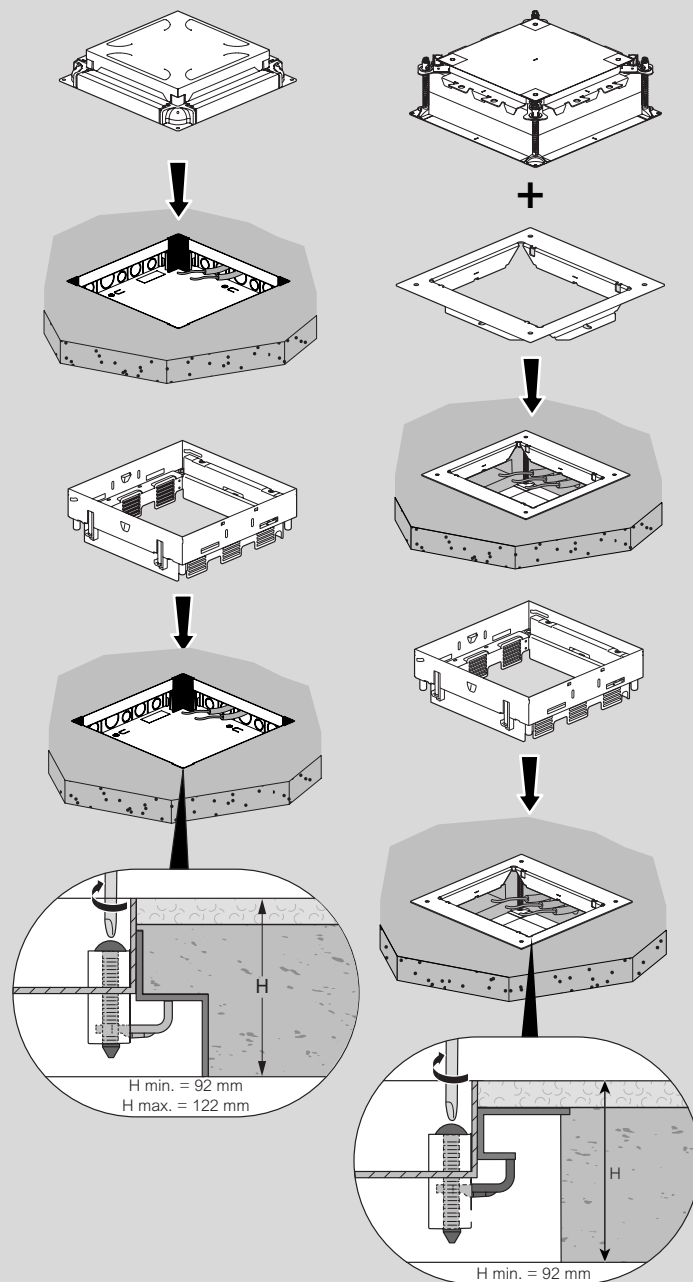


Cat.No	A (mm)	B (mm)
0 881 20	182	265
0 881 21	220	
0 881 22	265	

■ Installation principle in concrete floor

With auto-adjusting
backbox

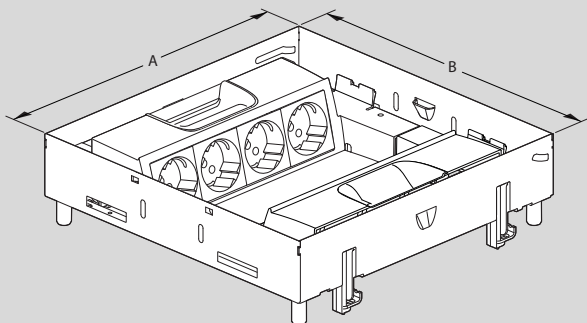
With universal adjustable
backbox



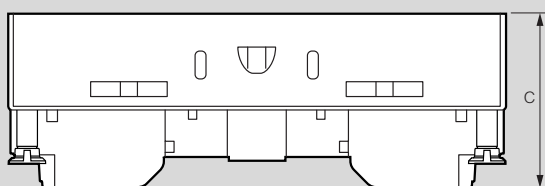
Flush version floor boxes - sockets in vertical position

technical characteristics

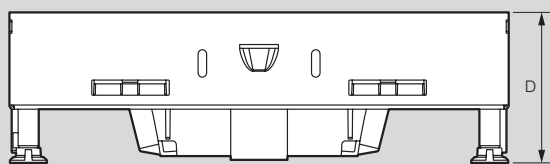
■ Dimensions



Installation in a raised floor with electrical insulation kits
Cat.Nos 0 880 26/27/28



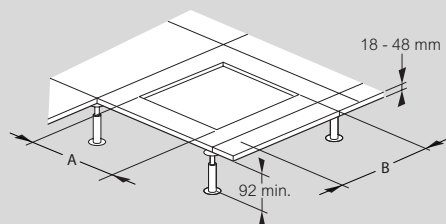
Installation in a backbox for concrete floor



Cat.No	A (mm)	B (mm)	C (mm)	D (mm)
0 881 23	181	265	92	80
0 881 24	219			
0 881 25	264			

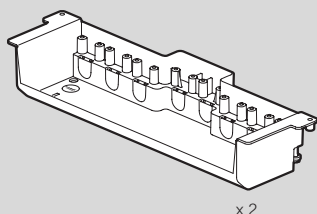
For heights of more than 122 mm, use feet
Cat.No 0 881 42

■ For installation in raised floor



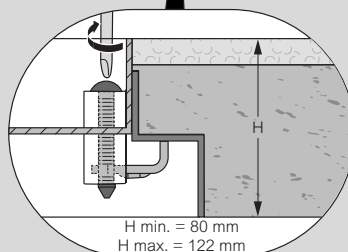
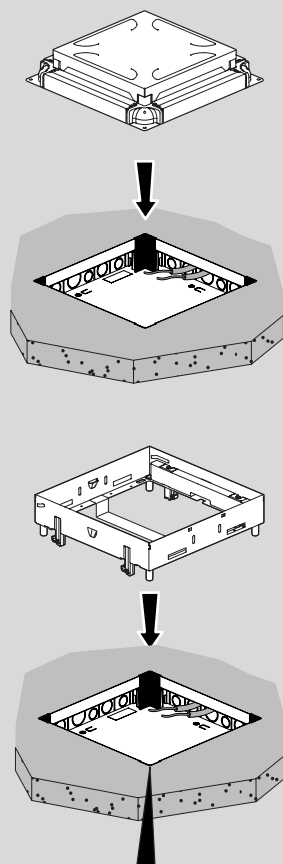
Cat.No	A (mm)	B (mm)
0 881 23	181	264
0 881 24	219	
0 881 25	264	

For use with electrical insulation kits Cat.Nos 0 880 26/27/28

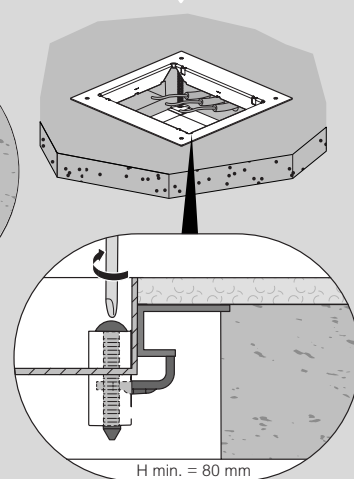
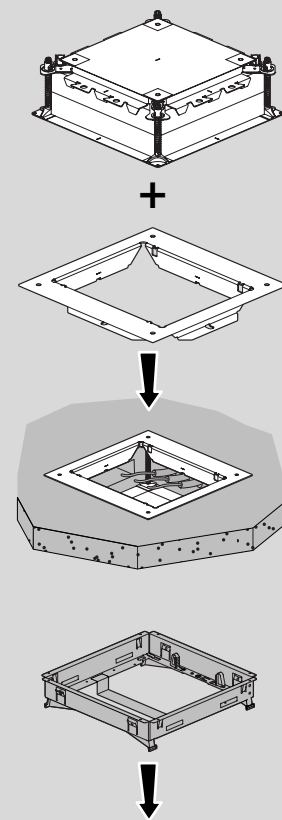


■ Installation principle in concrete floor

With auto-adjusting
backbox



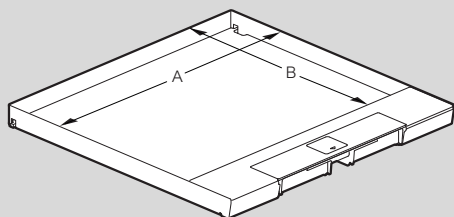
With universal adjustable
backbox



Flush version floor boxes - metal lid and finishing plate

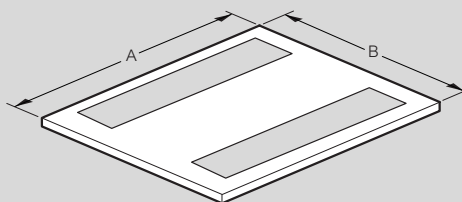
technical characteristics

■ Dimensions

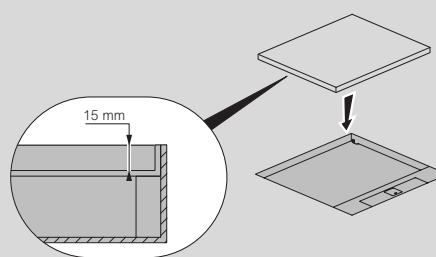


Cat.No	A (mm)	B (mm)
0 881 03/06		127
0 881 04/07	259	165
0 881 05/08		210

■ Dimensions



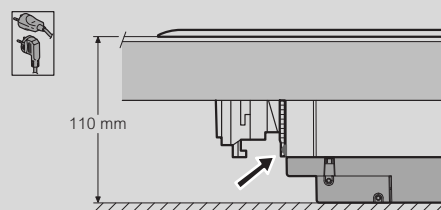
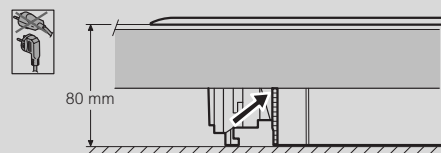
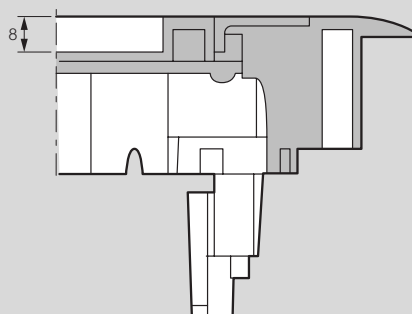
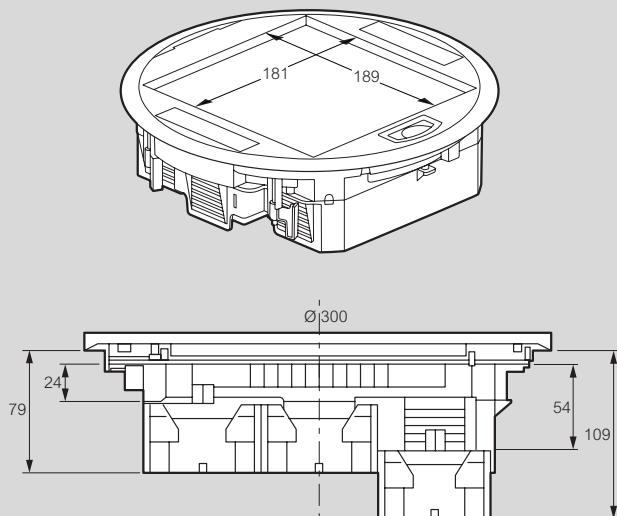
Cat.No	A (mm)	B (mm)
0 881 45/48		125
0 881 46/49	257	163
0 881 47/50		208



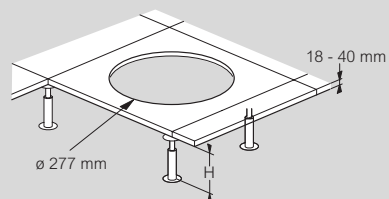
Round version floor boxes - sockets in horizontal position

technical characteristics

■ Dimensions

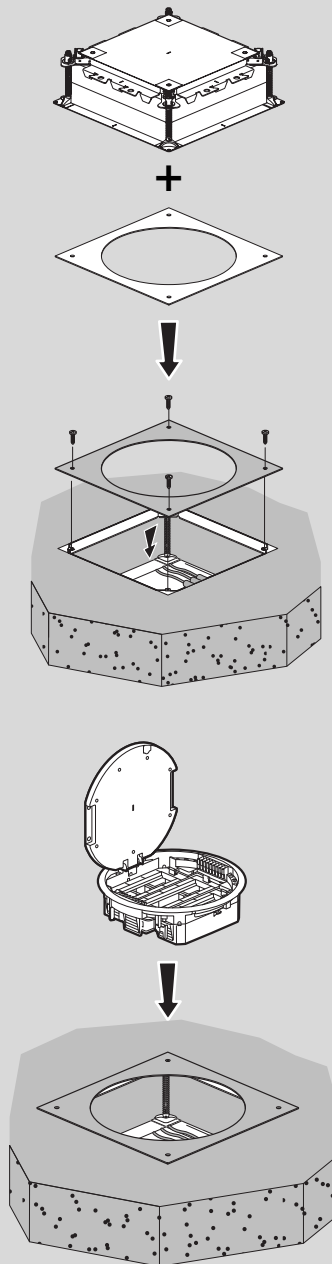


■ For installation in raised floor



Cat.No	Hmin. (mm)
0 881 26	80

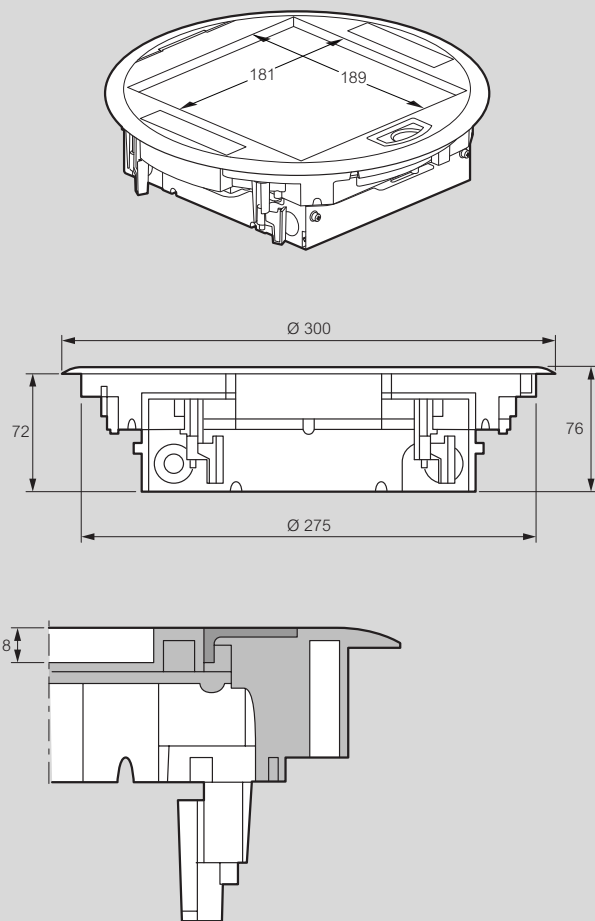
■ Installation principle in concrete floor



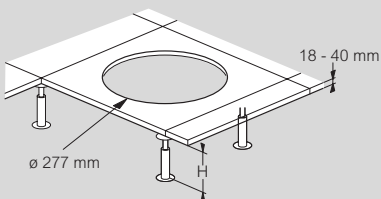
Round version floor boxes - sockets in vertical position

technical characteristics

■ Dimensions


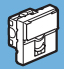


■ For installation in raised floor

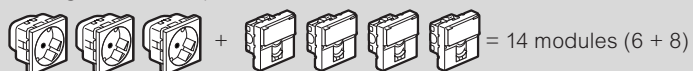


Cat.No	Hmini (mm)
0 881 27	80

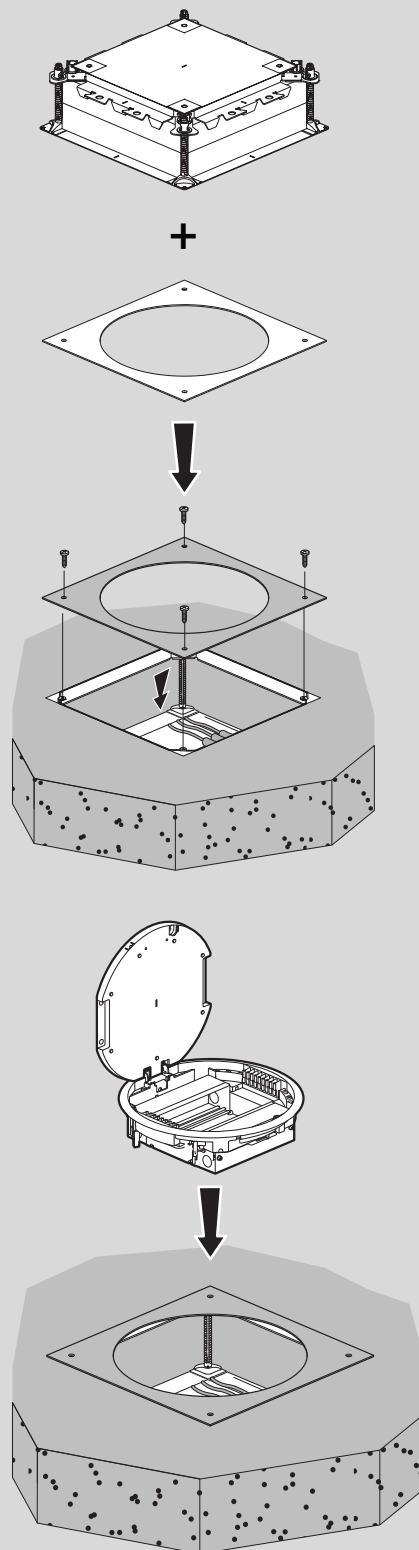
■ Capacity of floor boxes Cat.No 0 881 27 depending on configuration, for optimised cabling operations

Wiring accessories	Capacity (maximum number of modules)
2P+E sockets only 	12 (2 x 6)
RJ 11 or RJ 45 sockets only 	16 (2 x 8)

Configuration example:

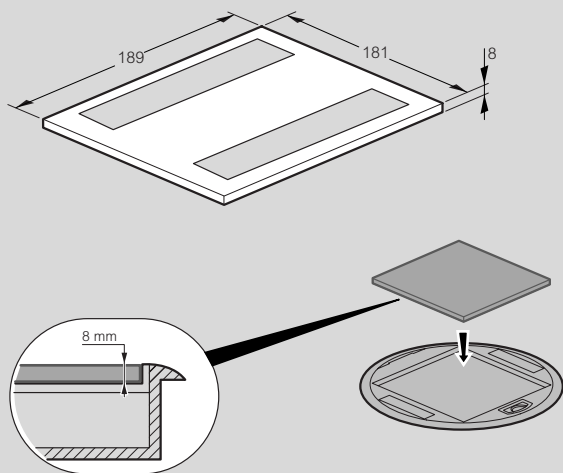


■ Installation principle in concrete floor



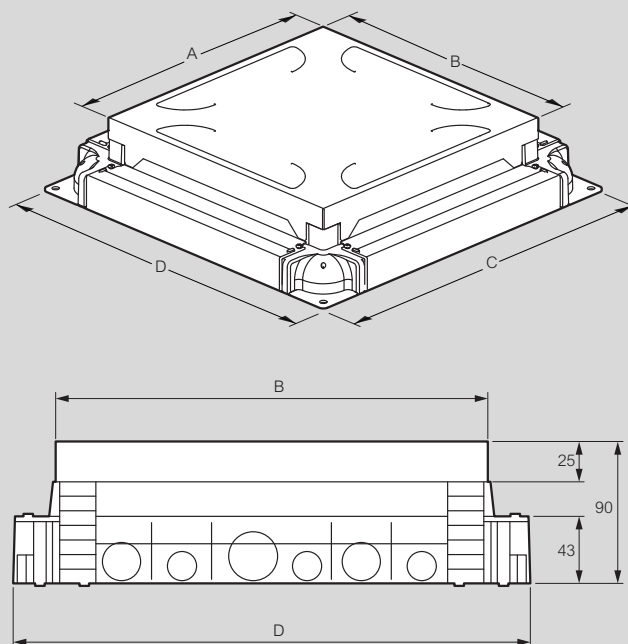
Round version floor boxes - finishing plate - technical characteristics

■ Dimensions



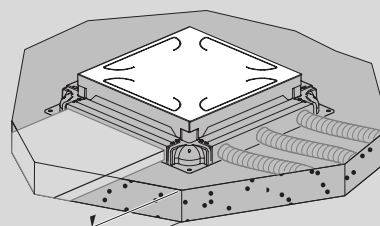
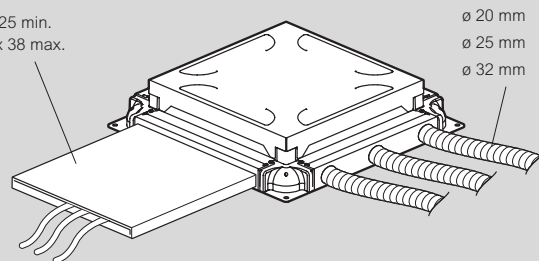
Auto-adjusting backboxes technical characteristics

■ Dimensions



Cat.No	A (mm)	B (mm)	C (mm)	D (mm)
0 880 90	187		242	
0 880 91	225	270	280	325
0 880 92	270		325	

75 x 25 min.
225 x 38 max.

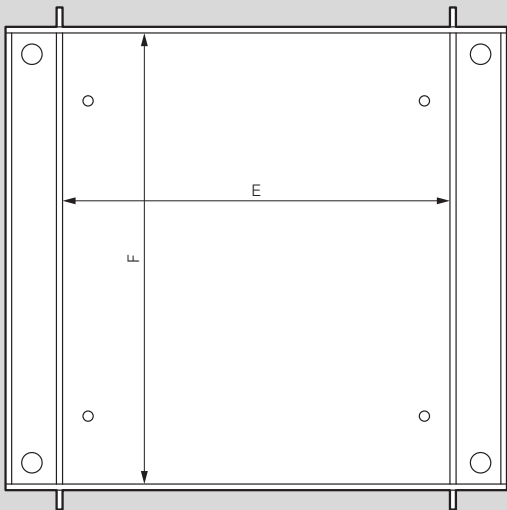
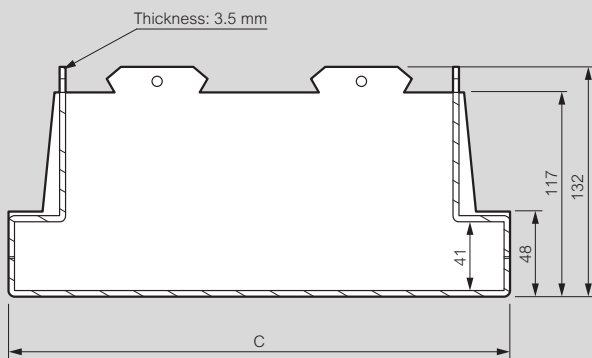
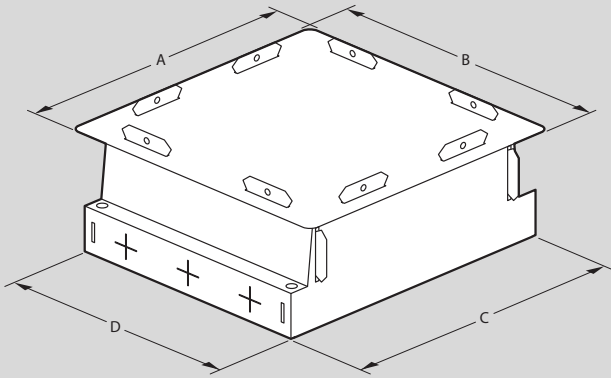


65 mm min.
90 mm max.

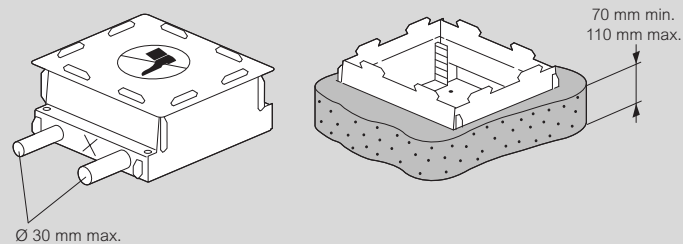
Renovation backboxes

technical characteristics

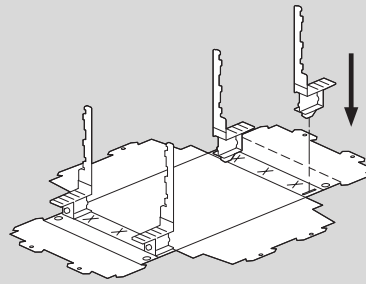
■ Dimensions



Cat.No	A (mm)	B (mm)	C (mm)	D (mm)	E (mm)	F (mm)
0 881 90	237		257		190	
0 881 91	275	312	295	272	228	265
0 881 92	320		340		273	

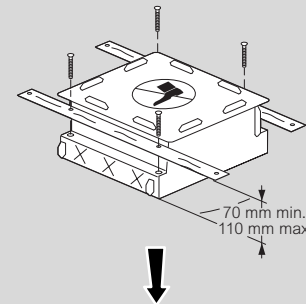


■ Installation principle

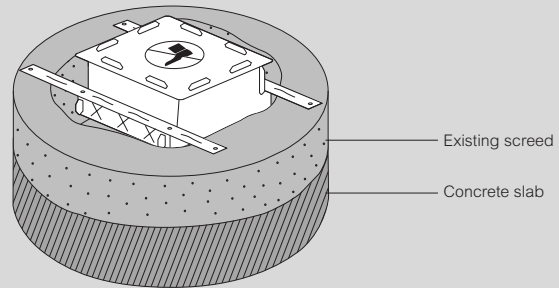


Fix the 4 corner pieces inside the backbox and fold the backbox.

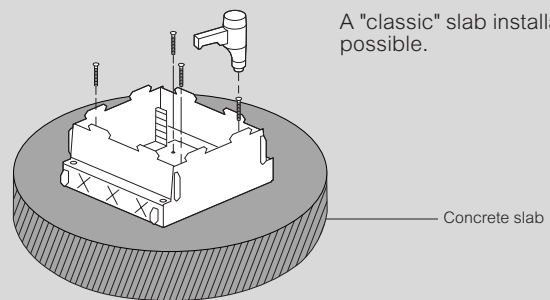
Installation into existing screed (renovation)



In an existing screed, after having broken the concrete in the desired area, the flush-mounted backbox can be installed from above (resting on the existing screed by means of 2 sleepers, not provided).



Installation on concrete slab (before screed pouring)



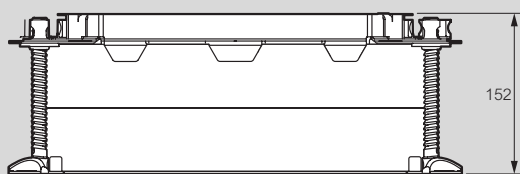
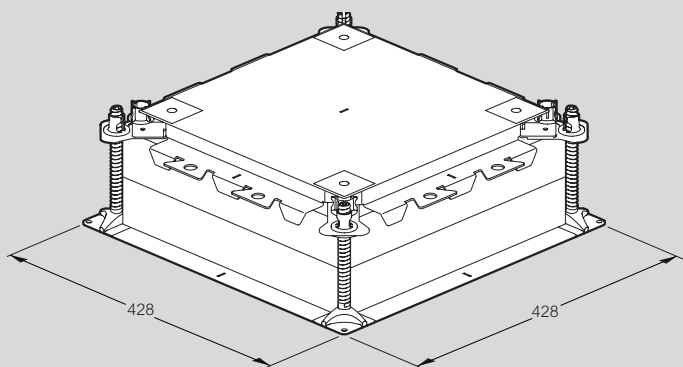
A "classic" slab installation is also possible.

Universal adjustable backbox and extension kit

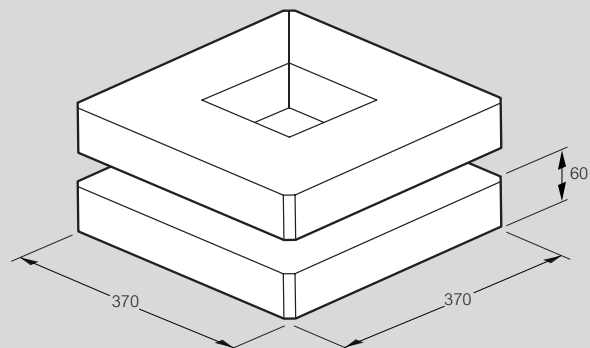
technical characteristics

■ Dimensions

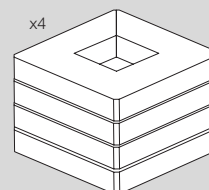
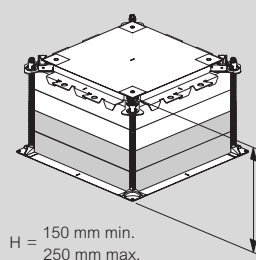
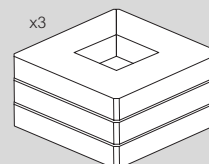
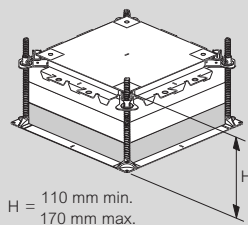
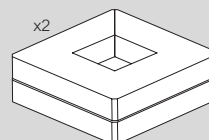
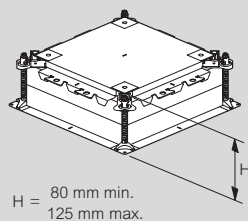
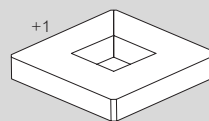
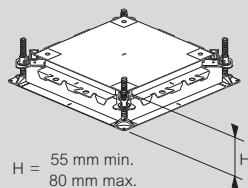
Universal adjustable backbox Cat.No 0 880 80



Spacer kit Cat.No 4 017 87



■ Installation principle

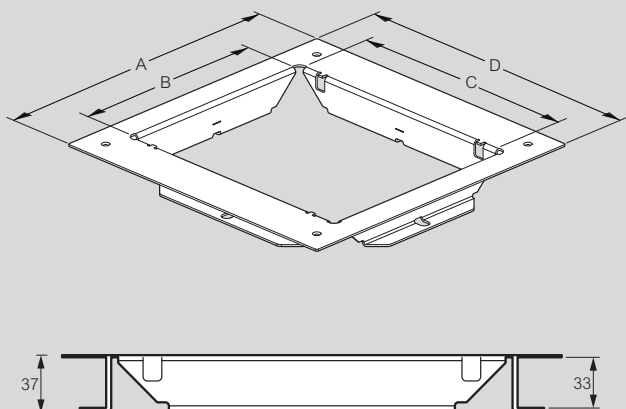


Adaptors for floor boxes

technical characteristics

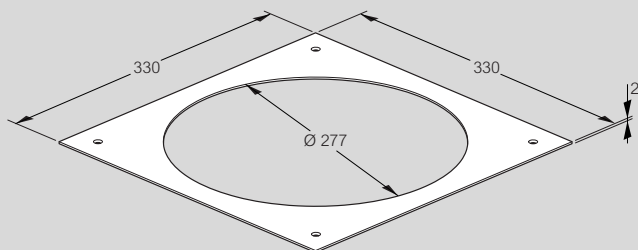
■ Dimensions

Cat.Nos 0 880 81/82/83



Cat.No	A (mm)	B (mm)	C (mm)	D (mm)
0 880 81		182		
0 880 82	330	219	265	330
0 880 83		265		

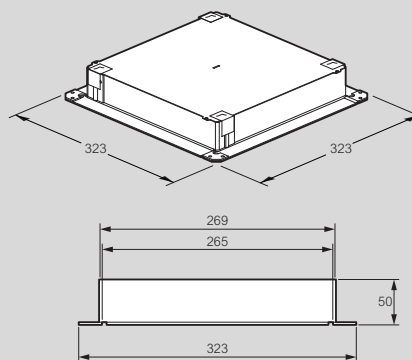
Cat.No 0 880 89



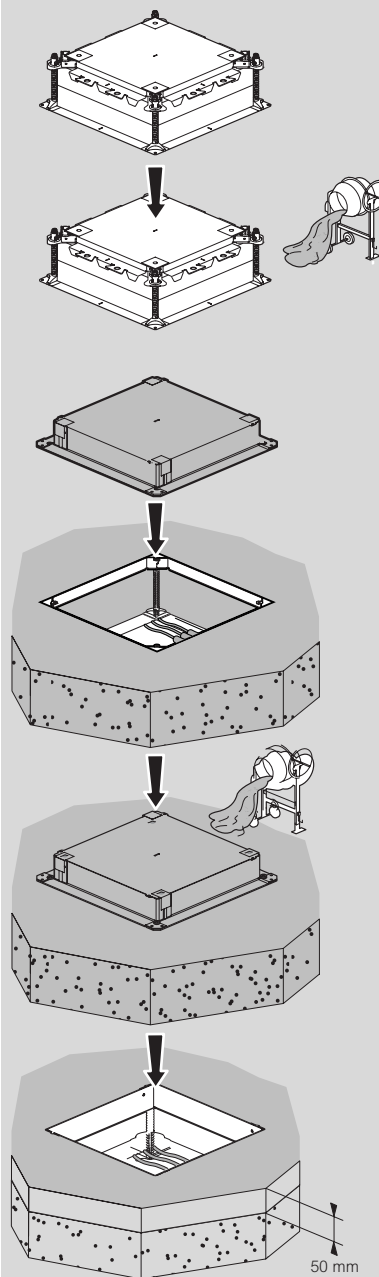
Finishing kit for waxed concrete

technical characteristics





■ Dimensions









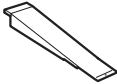
■ Installation principle in concrete floor




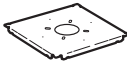


Soluflex Cable Floor System selection chart

	TILE	SUPPORT	DOUBLE EDGE PLATE	SINGLE EDGE PLATE	
	Pre-galvanised steel L225 mm x W225 mm x H13 mm	Polypropylene	Pre-galvanised steel L = 900 mm, W = 300 mm 2 x 13 mm turned-up sides	Pre-galvanised steel L = 900 mm, W = 275 mm 1 x 13 mm turned-up side	
			Sawn to size on site, for connection to the wall	Sawn to size on site, for connection to the wall	
Height (mm)					
37	84 000 10	84 037 00	84 000 60	84 000 61	
50		84 050 00			
60		84 060 00			
70		84 070 00			
80		84 080 00			
90		84 090 00			
120		84 120 00			
150		84 150 00			

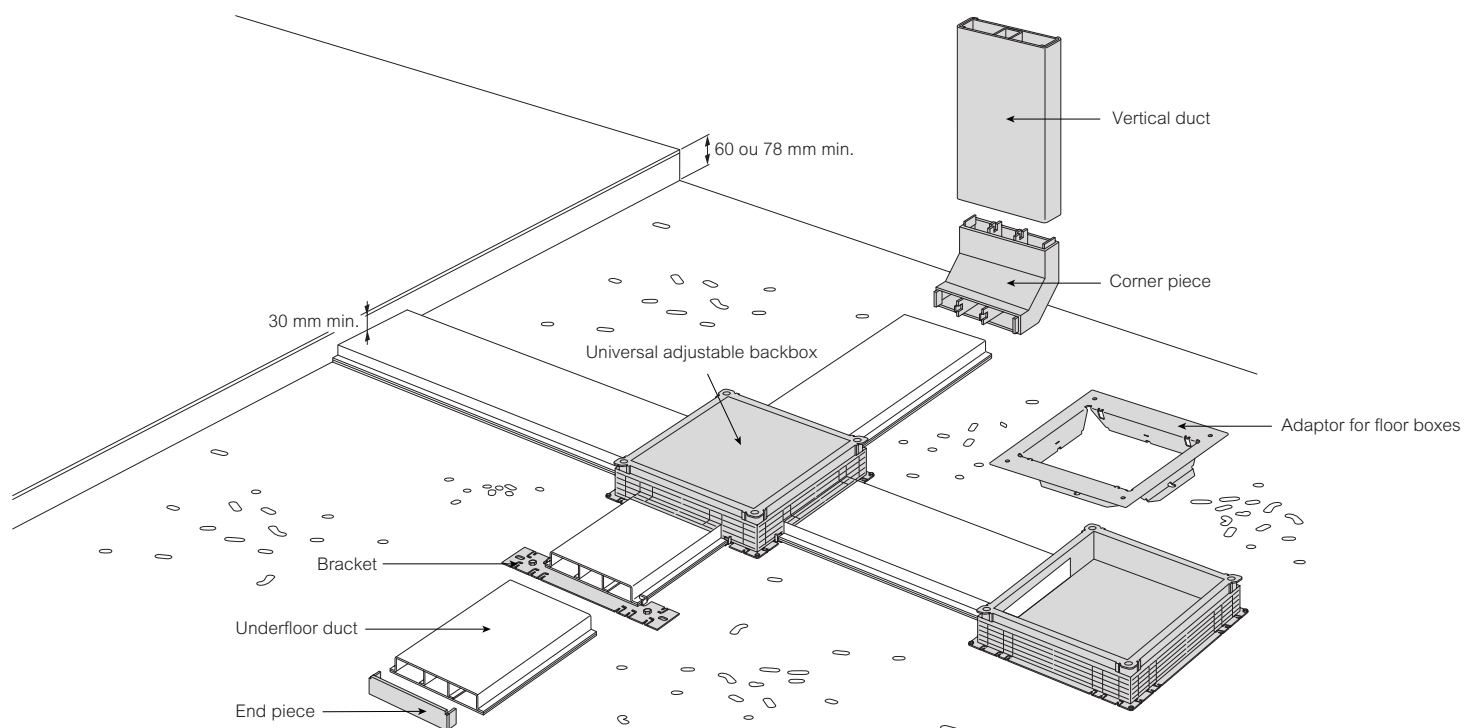
	EARTHING TILE	CABLE OUTLET TILE	OUTLET GROMMET	MOUNTING TILES FOR POP-UPS	
	Pre-galvanised steel L225 mm x W225 mm x H13 mm	Pre-galvanised steel L225 mm x W225 mm x H13 mm	Chrome		
	Earth terminal 6 mm ² (max.) 1 tile per 100 m ² or in gangways max. 14 m apart	124 x 14,5 mm cutout For running cables to the workstation	Application with cable outlet tile Cat.No 84 000 40 For running cables to the workstation		
Height (mm)					
				3 modules	4 modules
37 à 150	84 000 20	84 000 30	81 902 32	84 090 55	84 090 56


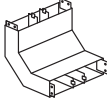
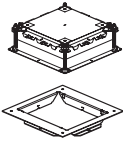
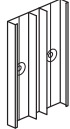
	PLENUM SEALING	PLENUM EXTERIOR ANGLE	RAMP	
	Pre-galvanised steel H = 60 mm, L = 900 mm, W = 56 mm	Pre-galvanised steel 56 x 56 mm	Pre-galvanised steel 10% incline, W = 112 mm	
	For closing the floor gap in free space		Include 1 extra foot Cat.No 84 060 00 per strip	
			Length (mm)	
	84 037 22	84 037 30	400	84 037 40
	84 050 22	84 050 30	523	84 050 40
	84 060 22	84 060 30	616	84 060 40
	84 070 22	84 070 30	712	84 070 40
	84 080 22	84 080 30	803	84 080 40
	84 090 22	84 090 30	898	84 090 40
	84 120 22	84 120 30	1181	84 120 40
	84 150 22	84 150 30	1405	84 150 40

FLOORBOX TILES				MOUNTING TILE	FIXING BRACKET
				Pre-galvanised steel L225 mm x W225 mm x H13 mm	For mounting mini-column in the floor with mounting tile (Cat.No 84 000 40)
				For mini-columns, columns + Cable Worm and grommet (Cat.No 81 902 32) Square 225 mm Equipped with 4 clearance contacts/ connections Ø 64 mm cutout	
					
For 8/12-module floor boxes	For 12/16-module floor boxes	For 16/24-module floor boxes	For round floor boxes		
84 960 91	84 960 92	84 960 93	84 960 95	84 000 40	84 000 50

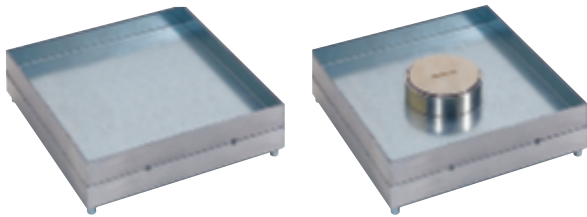
Selection chart for Van Geel GVG-5 underfloor ducts

Width (mm)	Type	UNDERFLOOR DUCT			COUPLING BRACKET	END PIECE
		2 COMPARTMENTS	3 COMPARTMENTS		With flexible lips for electrical continuity without nuts and bolts	For closing the underfloor duct
			Length 3000 mm	Length 2000 mm		
190	H = 28 mm	84 352 32	-	84 353 32	84 350 00	84 411 10
250		84 352 34	-	84 353 34		84 411 14
350		-	84 353 36	-		84 411 16
190	H = 38 mm	84 352 42	-	84 353 42		84 421 10
250		84 352 44	-	84 353 44		84 421 14
350		-	84 353 46	-		84 421 16
190	H = 48 mm	84 352 52	-	84 353 52		84 431 10
250		84 352 54	-	84 353 54		84 431 14
350		-	84 353 56	-		84 431 16



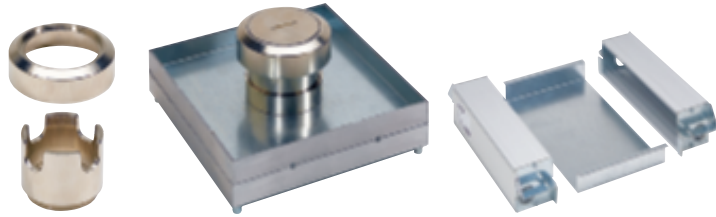
CORNER PIECE	UNIVERSAL ADJUSTABLE BACKBOX & ADAPTORS	VERTICAL DUCT	COVER FOR VERTICAL DUCT	
For connecting the underfloor duct to the vertical duct Includes two separate dividers	Adjustement without tool 4-side access for ducts and trunkings	Length 1000 mm, non-lacquered		
				
84 413 50	0 880 80 + adaptors 0 880 81/82/83/89 (p. 18, 19 and 20) (according to the size of the floor box)	84 351 02	84 351 12	84 351 32
84 413 54		84 351 04	84 351 14	84 351 34
84 413 56		84 351 06	84 351 16	84 351 36
84 423 50		84 351 02	84 351 12	84 351 32
84 423 54		84 351 04	84 351 14	84 351 34
84 423 56		84 351 06	84 351 16	84 351 36
84 433 50		84 351 02	84 351 12	84 351 32
84 433 54		84 351 04	84 351 14	84 351 34
84 433 56		84 351 06	84 351 16	84 351 36

IP 44 floor boxes for tiles/marble



6 896 22

6 896 23



0 896 87

6 896 23 + 0 896 87

6 896 57

Technical characteristics p. 41

Conform to IEC/EN 60670-23
Compatible with screed floor system

Pack	Cat.Nos	IP 44 lid and trim for tiles/marble	
1	6 896 22	To be installed in backbox Cat.No 0 896 04 for screed floor system Plain cover Edge trim for tile 8 to 24 mm thickness Can be used as access trap for junction, or equipped with 1 kit of vertical supports Cat.No 6 896 57 No cable exit	
1	6 896 23	With central cable exit Edge trim for tile 8 to 24 mm thickness To be equipped with 1 kit of vertical supports Cat.No 6 896 57 Can be equipped with cable exit accessory Cat.No 0 896 87	
1	0 896 87	Cable exit accessory For IP 44 or IP 66 floor boxes with central cable exit Cat.Nos 6 896 23 and 0 896 86	
1	0 896 04	Specific backbox for IP 44 lids and trims for tiles/marble For installation of floor boxes Cat.Nos 6 896 22/23 for screed floor system	
1	6 896 57	Vertical support for Arteor or Mosaic Programme mechanisms For German and French standard wiring accessories Kit of 2 supports for 8 modules	

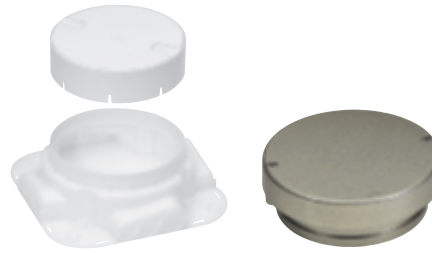
IP 66 floor boxes - 4 modules

for raised or concrete floors



0 880 61 equipped with Mosaic mechanisms

0 880 64 equipped with Mosaic mechanisms



0 880 69

0 880 62

Technical characteristics p. 42

Conform to IEC/EN 60670-23

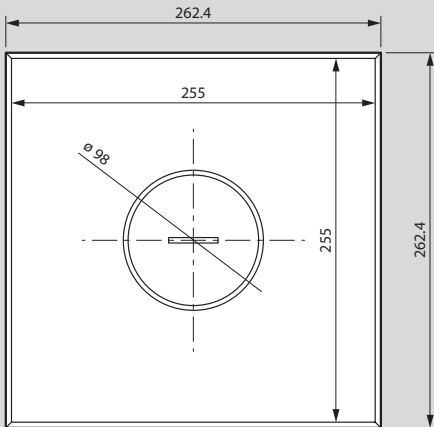
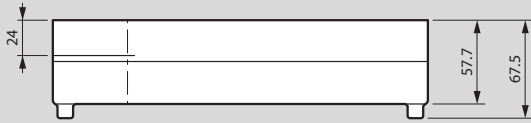
Pack	Cat.Nos	IP 66 floor boxes - 4 modules	
1	0 880 61	Supplied with lid and 4-module support frame for Mosaic Programme or Arteor mechanisms To be installed in flush-mounting backbox Cat.No 0 800 69 or directly in raised floor IK 09 with the lid closed Resistance to loads with lid closed: 10000 N With removable lid - for indoor and outdoor use Can be equipped with cable exit accessory Cat.No 0 880 62 IP 66 (when lid is closed) IP 54 (with cable exit accessory Cat.No 0 880 62 and plugs inserted into the sockets) Stainless steel finish	
1	0 880 64	With hinged lid - for indoor use Compatible with angled plugs only Can be equipped with key lock on request IP 66 (when lid is closed) Stainless steel finish	
1	0 880 69	Backbox Auto-adjustable backbox for installing IP 66 floor boxes in concrete floors Supplied with cover Accepts conduits Ø16, 20, 25 mm Minimum screed height: 65 mm	
1	0 880 62	Cable exit For removable lid weatherproof floor boxes Cat.No 0 880 61 Allows the passage of power cords when the plugs are inserted into the sockets inside the floor box Compatible with angled plugs only IP 54 cable exit accessory (with plugs inserted into the sockets)	

IP 44 floor boxes for tile/marble

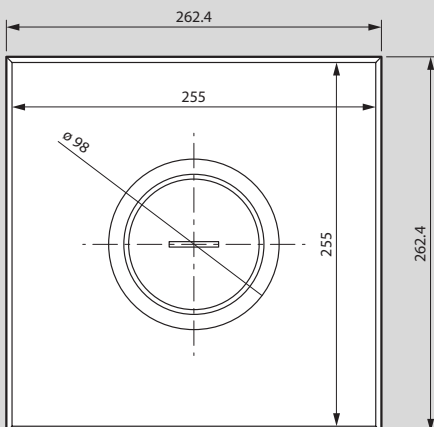
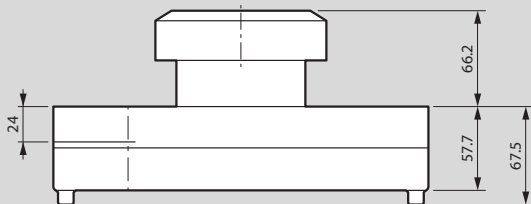
technical characteristics

■ Dimensions

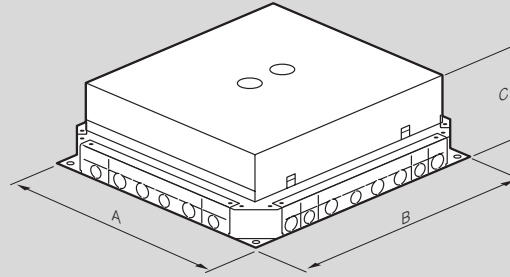
IP 44 lid and trim for tiles/marble Cat.Nos 6 896 22/23



Cat.No 6 896 23 equipped with cable exit accessory
Cat.No 0 896 87

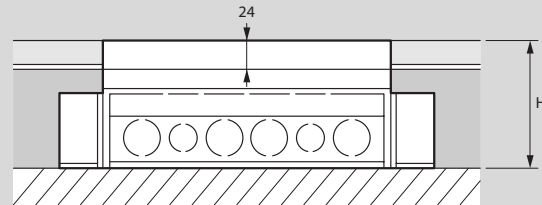


Backbox Cat.No 0 896 04



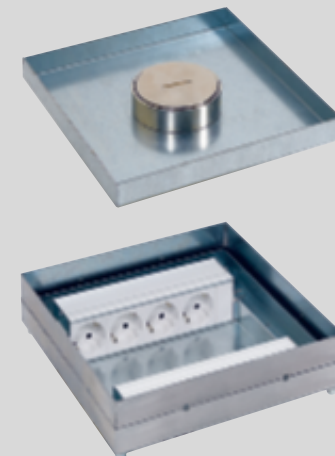
Cat.Nos	A (mm)	B (mm)	C (mm)
0 896 04	325	325	90

■ Screed thickness and total height



Installation	Plug type		German and French standard socket outlets	
	Straight	Angled	Hmin (mm)	Hmax (mm)
Vertical			86	114

■ Examples of installation



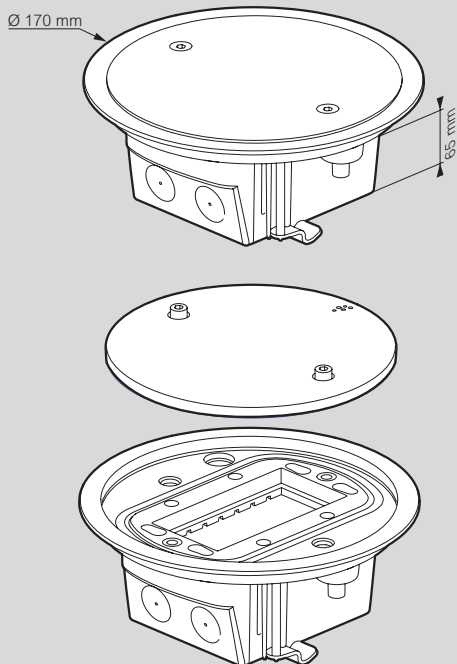
IP 44 floor box Cat.No 6 896 23 equipped with vertical supports Cat.No 6 896 57 and Mosaic 2P+E sockets

IP 66 floor boxes - 4 modules

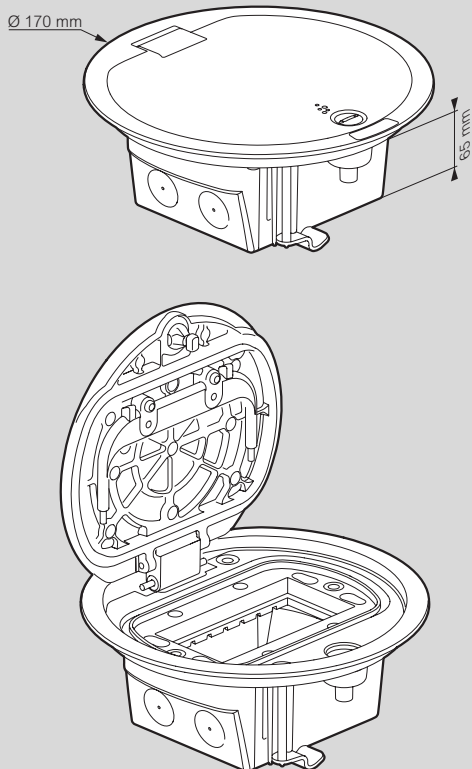
for raised or concrete floors

■ Dimensions

Floor boxes Cat.Nos 0 880 61

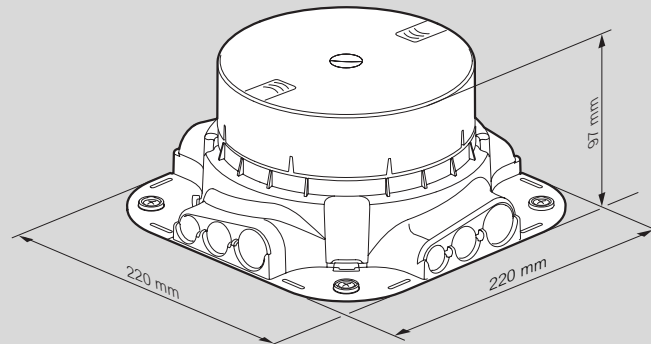


Floor boxes Cat.Nos 0 880 64

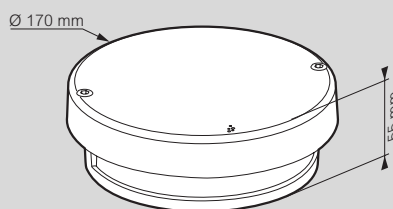


■ Dimensions (continued)

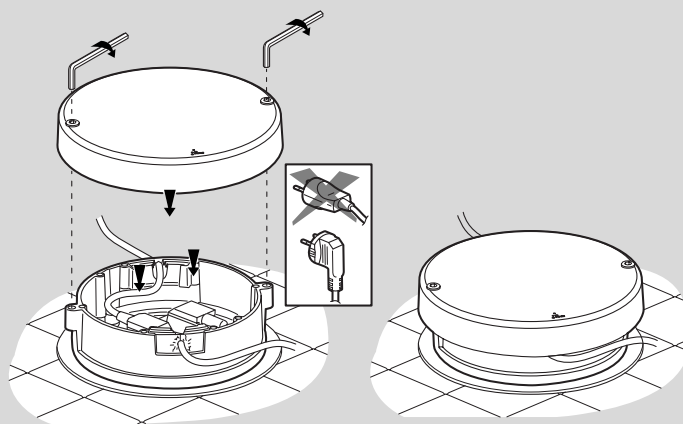
Flush-mounting backbox Cat.No 0 880 69



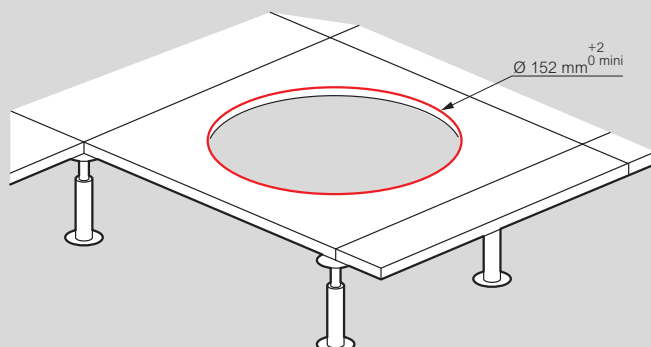
Cable exit accessory Cat.No 0 880 62



■ Example of use for removable lid floor box with cable exit accessory Cat.Nos 0 880 61 + 0 880 62

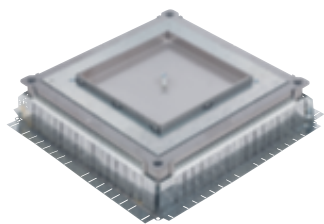


■ Floor cut for installation in raised floor

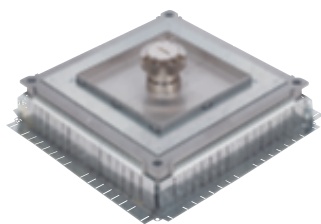


Heavy duty in-screed floor box

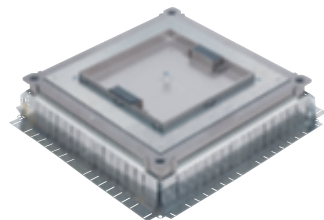
for concrete floors



0 896 34 + 0 896 83 + 0 896 85



0 896 34 + 0 896 83 + 0 896 86 + 0 896 87



0 896 34 + 0 896 83 + 0 896 88

For highly frequented areas, requiring important mechanical resistance and/or washing down
Conform to standard EN 60-670 and EN 50 085-2-2

Pack Cat.Nos Adjustable metal backbox for concrete floor

Pack	Cat.Nos	Description
1	0 896 34	Universal backbox For junction of LV and ELV cabling and/or installation of heavy duty floor boxes Height adjustable from 56 mm to 140 mm using 4 screws located in the box corners and a tool adapting to electric drill or screwdriver: Bendable side walls for joining with different sizes of floor ducts Supplied with worksite protection cover to be replaced by blanking cover plate or mounting cover plate Universal metal in-screed backbox

Pack	Cat.Nos	Description
1	0 896 83	Accessories for metal in-screed floor box Normal load support
1	0 896 84	Heavy load support
6	0 896 39	Set of 2 conduit adaptors for metal cavity floor box Cat.No 0 896 34

Pack	Cat.Nos	Description
1	0 896 85	Plates for metal in-screed floor boxes For metal in-screed floor box Cat.No 0 896 34 Use support Cat.No 0 896 83 or 0 896 84 Height adjustment of the backbox from 105 mm to 140 mm All types of floors IP 66 plain cover (cover closed) Access trap for junction, no cable exit

1	0 896 86	Marbled and tiled floors IP 66 plate (cover closed and plugs not connected) with central cable exit To receive 24 mosaic modules Supplied with all necessary wiring accessories supports
---	----------	--

1	0 896 87	Accessory for plate with central cable exit Cable exit accessory for IP 66 cover plate Cat.No 0 896 86
---	----------	---

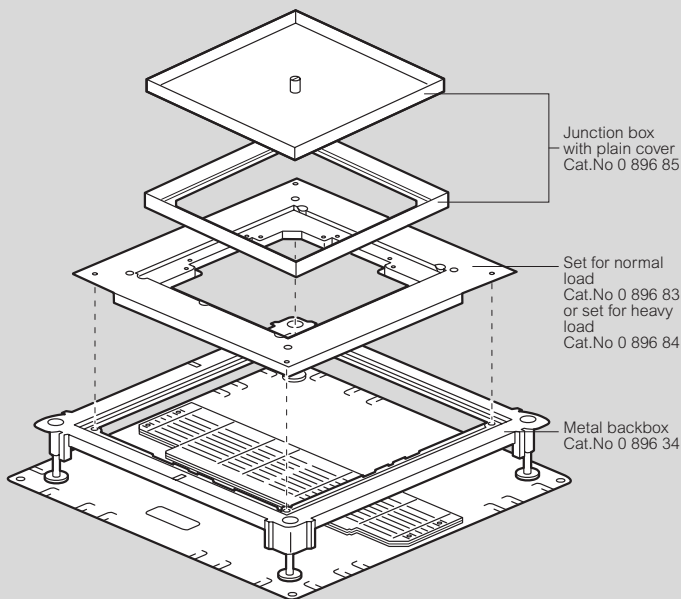
1	0 896 88	Wooden floors IP 30 plate with 2 lateral cable exits To receive 24 mosaic modules Supplied with all necessary wiring accessory supports
---	----------	---

Heavy duty in-screed floor box

Metal in-screed floor box, installation principle

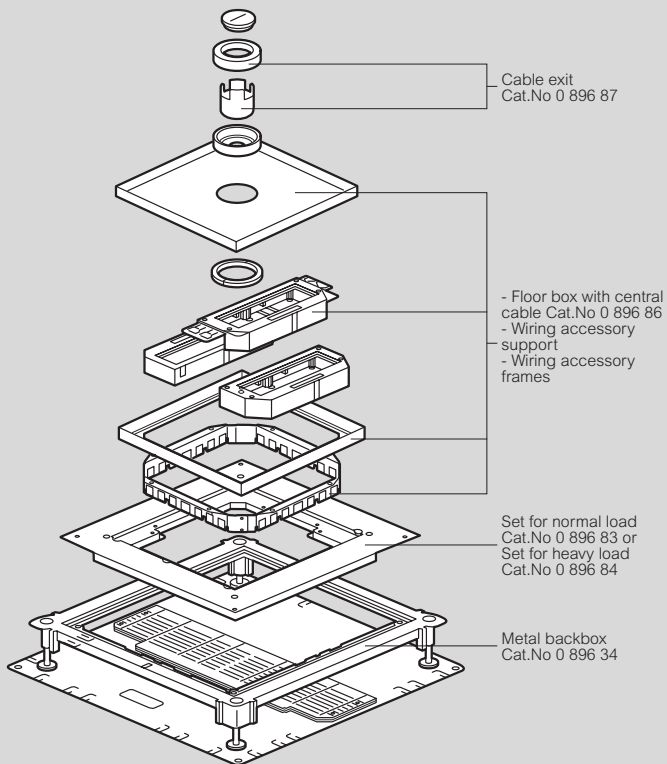
When used as junction box

Junction box with plain cover Cat.No 0 896 85



When used as floor box for wiring accessories

Floor box with central cable Cat.No 0 896 86



Catalogue number index

Cat.Nos	Page N°	Pack
0 880 00		
0 880 00	18	1
01	-	1
02	-	1
03	-	1
04	-	1
05	-	1
06	-	1
07	-	1
08	-	1
15	-	1
16	-	1
17	-	1
20	-	1
21	-	1
22	-	1
23	-	1
24	-	1
25	-	1
26	-	1
26	19	1
27	18	1
27	19	1
28	18	1
28	19	1
30	18	1
31	-	1
32	-	1
39	-	1
40	-	1
41	-	1
45	-	1
46	-	1
47	-	1
48	-	1
49	-	1
50	-	1
61	40	1
62	-	1
64	-	1
69	-	1
80	21	1
81	-	1
82	-	1
83	-	1
85	-	1
87	-	1
89	20	1
89	21	1
90	-	1
91	-	1
92	-	1
95	18	1
98	-	1
98	20	1
99	18	1
99	20	1
0 881 00		
0 881 03	19	1
04	-	1
05	-	1

Cat.Nos	Page N°	Pack
0 881 06	19	1
07	-	1
08	-	1
20	-	1
21	-	1
22	-	1
23	-	1
24	-	1
25	-	1
26	20	1
27	-	1
39	19	1
40	-	1
41	-	1
42	-	1
44	20	1
45	19	1
46	-	1
47	-	1
48	-	1
49	-	1
50	-	1
90	21	1
91	-	1
92	-	1
0 896 00		
0 896 04	40	1
34	43	1
39	-	1
83	-	1
84	-	1
85	-	1
86	-	1
87	40	1
87	43	1
88	-	1
22	40	1
23	-	1
57	-	1
81 902 00		
81 902 32	36	
84 000 00		
84 000 10	36	1
20	-	1
30	-	1
40	37	1
50	-	1
60	36	1
61	-	1
84 037 00		
84 037 00	36	1
22	37	1
30	-	1
40	-	1
84 050 00		
84 050 00	36	1

Cat.Nos	Page N°	Pack
84 050 22	37	1
30	-	1
40	-	1
84 060 00		
84 060 00	36	1
22	37	1
30	-	1
40	-	1
84 070 00		
84 070 00	36	1
22	37	1
30	-	1
40	-	1
84 080 00		
84 080 00	36	1
22	37	1
30	-	1
40	-	1
84 090 00		
84 090 00	36	1
22	37	1
30	-	1
40	-	1
55	36	1
56	-	1
84 120 00		
84 120 00	36	1
22	37	1
30	-	1
40	-	1
84 150 00		
84 150 00	36	1
22	37	1
30	-	1
40	-	1
84 351 00		
84 351 02	39	1
04	-	1
06	-	1
12	-	1
14	-	1
16	-	1
32	-	1
34	-	1
36	-	1
84 352 00		
84 352 32	38	1
34	-	1
42	-	1
44	-	1
52	-	1

Cat.Nos	Page N°	Pack
84 352 54	38	1
84 353 00		
84 353 32	38	1
34	-	1
36	-	1
42	-	1
44	-	1
46	-	1
52	-	1
54	-	1
56	-	1
84 411 00		
84 411 10	38	1
14	-	1
16	-	1
84 413 00		
84 413 50	39	1
54	-	1
56	-	1
84 421 00		
84 421 10	38	1
14	-	1
16	-	1
84 423 00		
84 423 50	39	1
54	-	1
56	-	1
84 431 00		
84 431 10	38	1
14	-	1
16	-	1
84 433 00		
84 433 50	39	1
54	-	1
56	-	1
84 960 00		
84 960 91	37	1
92	-	1
93	-	1
95	-	1

In accordance with its policy of continuous improvement, the Company reserves the right to change specifications and designs without notice. All illustrations, descriptions, dimensions and weights in this catalogue are for guidance and cannot be held binding on the Company.

Notes

A series of horizontal dotted lines for writing notes.



FOLLOW US ON

@ website: www.legrand.eg
f legrand
@ legrandegypt

EXB 18015 - April 2019



EMB Electrical Industries S.A.E.

Headquarter office

Pyramids Heights Office Park
KM 22 Cairo - Alex. desert road
Building 1B, 12556
Tel.: +202 3536 0000
Fax: +202 3536 0001
www.legrand.eg