

TABLE OF CONTENTS

- 1.0 GENERAL
- 2.0 TOOLS REQUIRED FOR ASSEMBLY
- 3.0 COMPONENTS PROVIDED WITH THE ENCLOSURE ASSY
- 4.0 ACCESSORIES PURCHASED SEPERATELY
- 5.0 ENCLOSURE ASSEMBLY
- 6.0 INSTALLATION OF ACCESSORIES
- 7.0 CABLE ROUTING AND INSTALLATION

1. GENERAL

This document describes the assembly procedure for Legrand’s Infinium Rack Mount Fiber Enclosure, part number INFC01U (1 Rack Unit), INFC02U (2 Rack Unit), and INFC04U (4 Rack Unit). Hardware is provided for mounting to 19” racks.

2. TOOLS REQUIRED FOR ASSEMBLY

- 2.1. #2 Philips Head Screwdriver – optional for fiber mount assembly, thumbscrews are provided
- 2.2. #3 Philips Head Screwdriver – required to mount the enclosure to the rack

3. COMPONENTS PROVIDED WITH THE ENCLOSURE ASSY

ITEM #	DESCRIPTION	PART NUMBER M4	PART NUMBER M8	QTY. 1U	QTY. 2U	QTY. 4U
1	Enclosure, Infinium, 1U	INFC01U-M4	INFC01U-M8	1	1	1
	Enclosure, Infinium, 2U	INFC02U-M4	INFC02U-M8			
	Enclosure, Infinium, 4U	INFC04U-M4	INFC04U-M8			
2	Drawer Face, Infinium, 1U	60401551	60401548	1	1	1
	Drawer Face, Infinium, 2U	60401552	60401549			
	Drawer Face, Infinium, 4U	60401553	60401550			
3	Pivoting Cable Manager, Fiber Spool, 1U	60401545		2	2	2
	Pivoting Cable Manager, Fiber Spool, 2U	60401546				
	Pivoting Cable Manager, Fiber Spool, 4U	60401547				
4	Straps, Hooks/Loops, Cable Mgt.	70700145		8	8	8
5	Tool-less Mounting Bracket 1U	41400648		2	2	2
	Tool-less Mounting Bracket 2U	41400649				
	Tool-less Mounting Bracket 4U	41400650				
6	Rear Fiber Mount, Left	41400661		1	1	1
7	Rear Fiber Mount, Right	41400660		1	1	1
8	LED Lights	50900099		2	2	2
9	Port Label Card	41400655		1	1	1
10	Port Label Sleeve	70401016		1	1	1

(*) If item 1 is a 2 Rack Unit, then Item 2 will be for 2 Rack Units, etc.

4. ACCESSORIES PURCHASED SEPERATELY

ITEM #	DESCRIPTION	PART NUMBER M4	PART NUMBER M8	QTY. 1U	QTY. 2U	QTY. 4U
1	Drawer Face, Infinium, 1U	INFDRW01U-M4	INFDRW01U-M8	1	1	1
	Drawer Face, Infinium, 2U	INFDRW02U-M4	INFDRW02U-M8			
	Drawer Face, Infinium, 4U	INFDRW04U-M4	INFDRW04U-M8			
2	Replacement Door, 1U, Infinium ENCL	INFCDOOR1U		1	1	1
	Replacement Door, 2U, Infinium ENCL	INFCDOOR2U				
	Replacement Door, 4U, Infinium ENCL	INFCDOOR4U				
3	Cable Attachment, Infinium ENCL	INFC-CA		1	1	1
4	Led Light Strip, Infinium ENCL	INFC-LED		2	2	2
5	Label Card, Infinium ENCL	INFC-LBL		1	1	1
6	Pivot Arm, Infinium ENCL	INFC-PA		2	2	2
7	Top Front, Infinium ENCL	INFC-TF		1	1	1
8	Top Back, Infinium ENCL	INFC-TB		1	1	1
9	Jumper Management, Infinium ENCL	INFC-JM		1	2	4
10	Grommet, Single Cable, Infinium ENCL	INFC-GSC		1	1	1
11	Grommet, Multi Cable, Infinium ENCL	INFC-GMC		1	1	1

5. ENCLOSURE ASSEMBLY

- 5.1. Inspect the package contents before assembling to ensure conformance with the parts listed in Section 3.0, then determine if the accessories listed in Section 4.0 are required.
- 5.2. Drawer face (Item 2) and Cable Manager (Item 3) are pre-assembled to the tray at the factory. LED Lights (Item 9) are pre-installed to the enclosure at the factory.
- 5.3. Attach one Mounting Bracket (Item 5) to each side of the enclosure by aligning to the keyhole slots and pressing back until the spring pin latches into the aligning hole. See Figures 1, 1a, and 1b.
An alternate mounting position is available for installations more forward in racks. Use the 2-hole pattern closest to the front side of the enclosure. See Figure 1c.

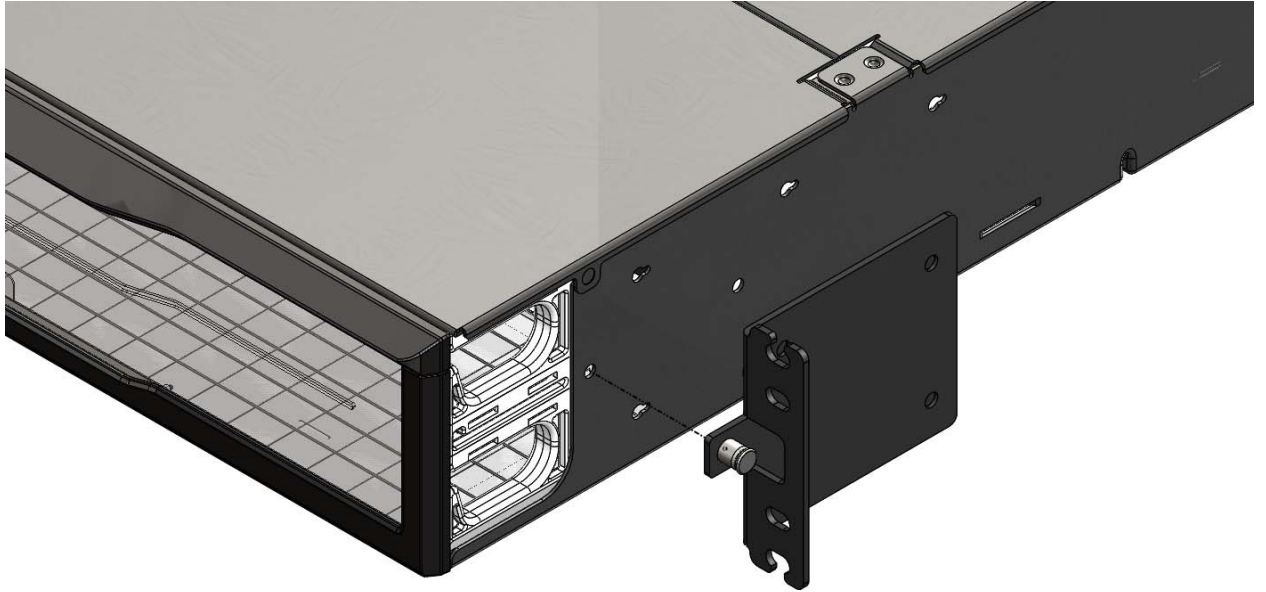


Figure 1

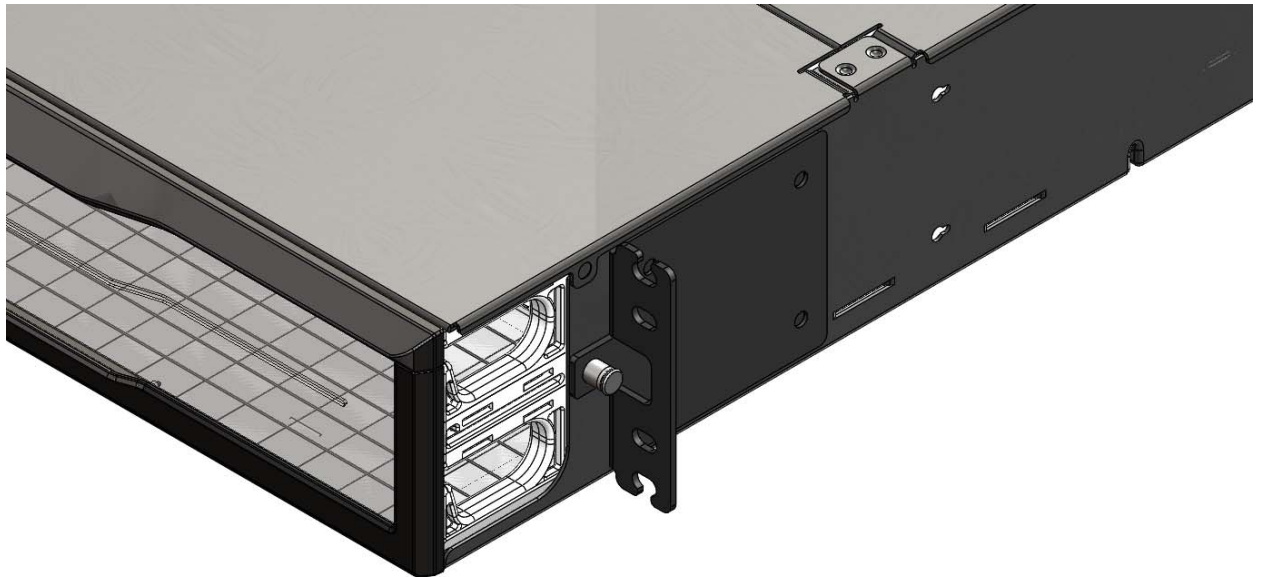


Figure 1a



Figure 1b

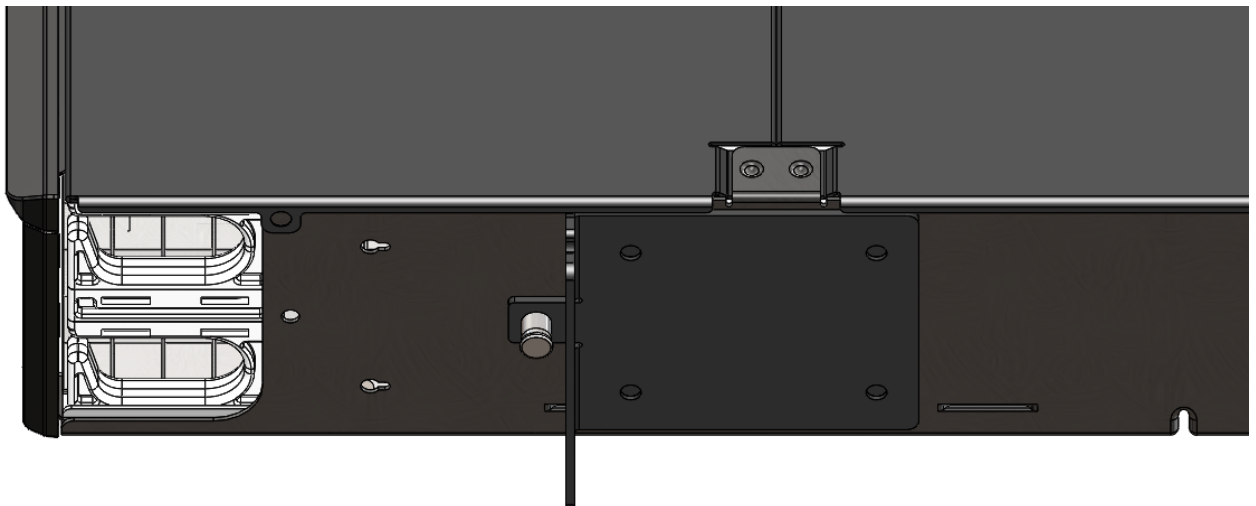


Figure 1c

5.4. The enclosure is ready to be mounted to the rack using the screws provided and a #3 Philips Head Screwdriver

6. INSTALLATION OF ACCESSORIES

- 6.1. Attach one Rear Fiber Mount (Items 6 and 7) to each side of the enclosure by aligning to the keyhole slots and pressing back until the spring pin latches into the aligning hole.
Multiple mounting locations for the Rear Fiber Mount are available on the 2U and 4U enclosures. Each are aligned vertically.
- 6.2. Depending on fiber used, select and insert the appropriate grommet into the mount, route fiber into mount, and tighten mount with thumbscrew. See figures 2, 2a, and 2b.
Multi hole grommet shown in Figure 2a has two positions for fiber diameters of 0.5" and one position for fiber diameters up to 0.7". Large grommet (single hole grommet) shown in Figure 2a is for fiber diameters up to 1.07". For diameters up to 1.375", no grommet is to be used.

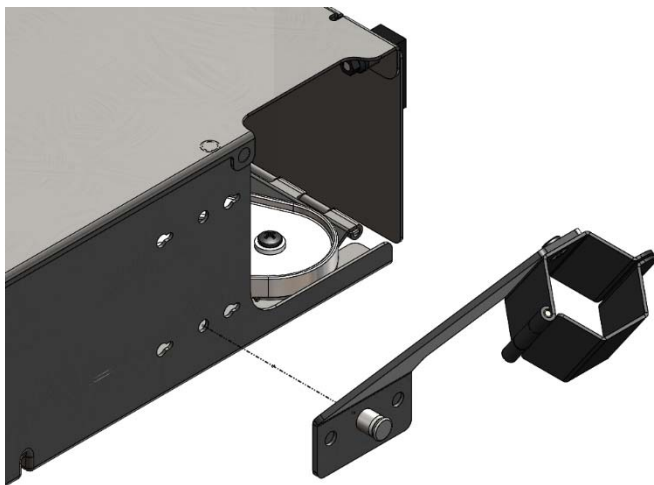


Figure 2

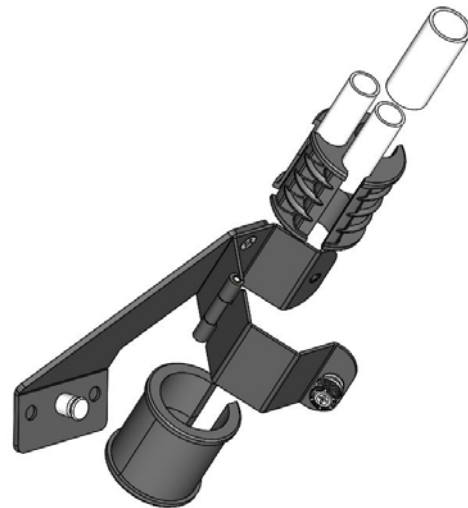


Figure 2a

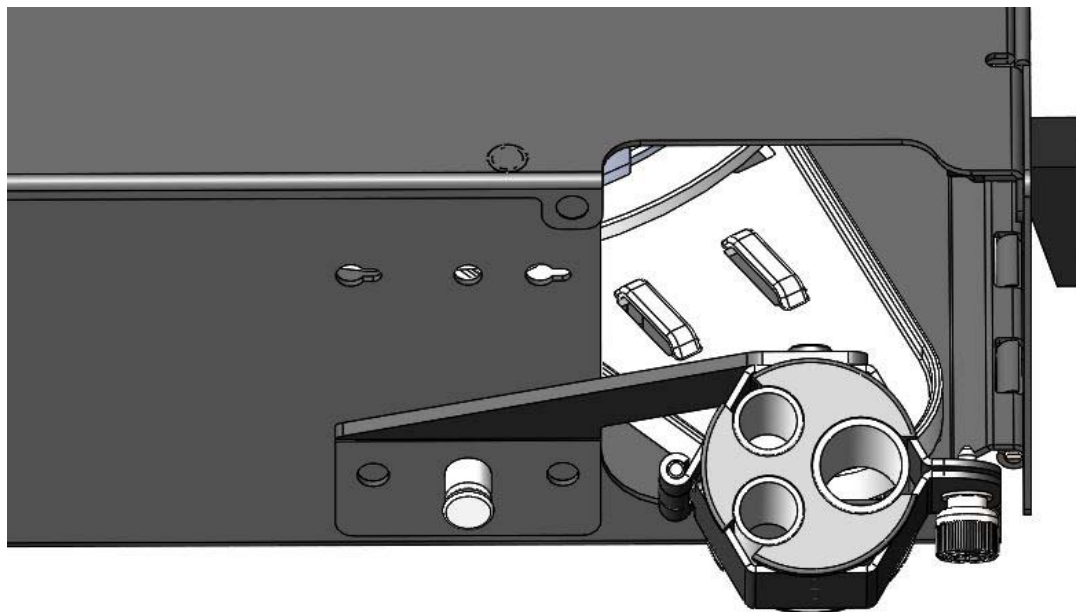
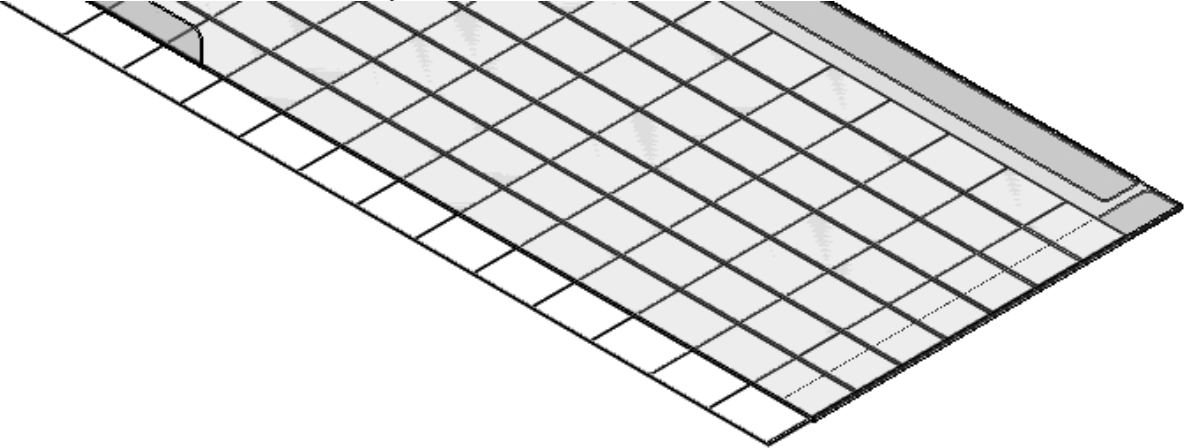
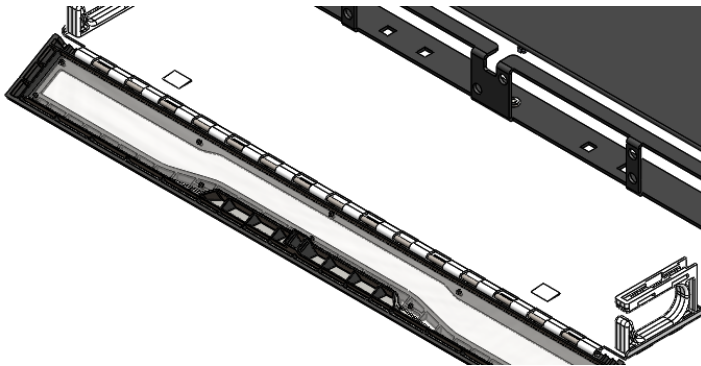
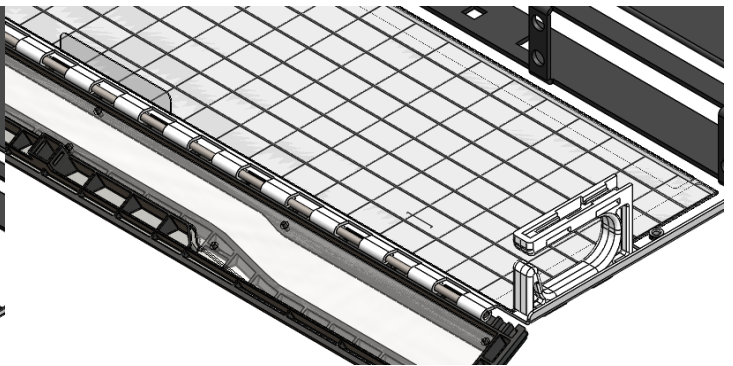


Figure 2b

- 6.3. To attach the Port Label Sleeve and Card (Items 10 and 11) to the front top side of the tray, open the front door assembly, align the sleeve between the fiber routing clips, slide the sleeve with the card inserted into the enclosure over the tabs. See Figures 3, 3a, and 3b.
To remove the Port Label Sleeve and Card, open the front door assembly, lift the sleeve by the pull tab and pull the sleeve over the tabs in the tray.

**Figure 3****Figure 3a****Figure 3b**

6.4. To access the tray, gently push on the front door assembly and gently pull until the tray is accessible. See Figures 4, 4a, 4b, and 4c.
To access the rear fiber managers, locate and twist up on the door latches, then gently pull the rear door until loose.

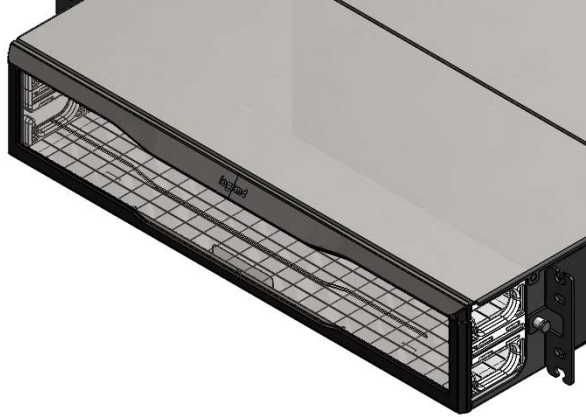


Figure 4

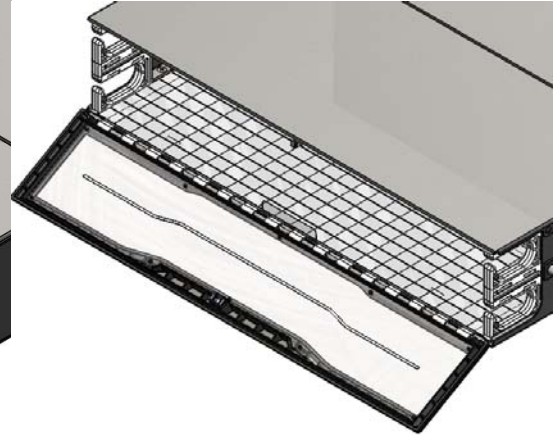


Figure 4a



Figure 4b

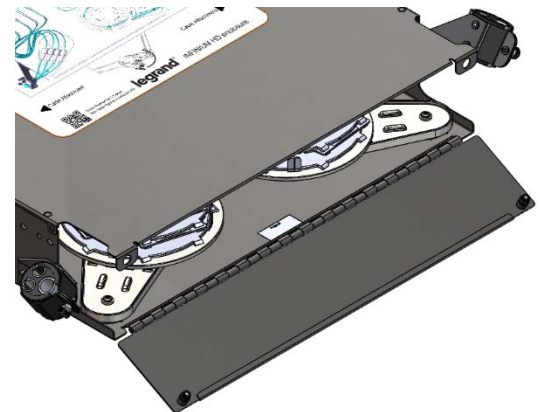
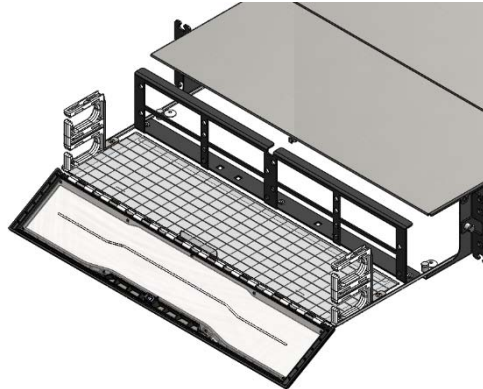
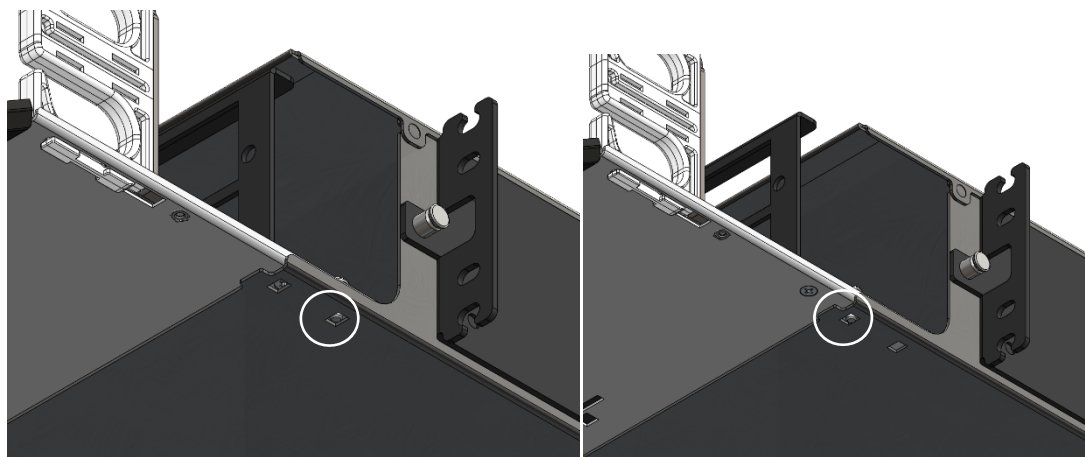


Figure 4c

- 6.5. To remove the tray from the enclosure, open the front door assembly and slide the tray out of the enclosure. See Figures 5, 5a, 5b.
- The tray has spring-loaded pins that catch on the enclosure in the positions shown below. The position shown in Figure 5a is to prevent the tray from falling out. The second position shown in Figure 5b is for access to the screws to replace the drawer face. To get to the second position, pull up on the locking pins and pull the tray until the pins lock again.

**Figure 5****Figure 5a****Figure 5b**

- 6.6. Repeat steps 5.0 through 5.4 to assemble additional enclosures, and steps 6.0 through 6.5 for installation of accessories.

7. CABLE ROUTING AND INSTALLATION

7.1. Refer to image 6a and 6b for Fiber Installation and Routing in the front of the Fiber Enclosure. Fibers should come out of the sides, through the fiber managers and be routed as needed.

Figure 6a shows an open view of the Enclosure, Figure 6b shows a front view of the Fiber Enclosure when closed.

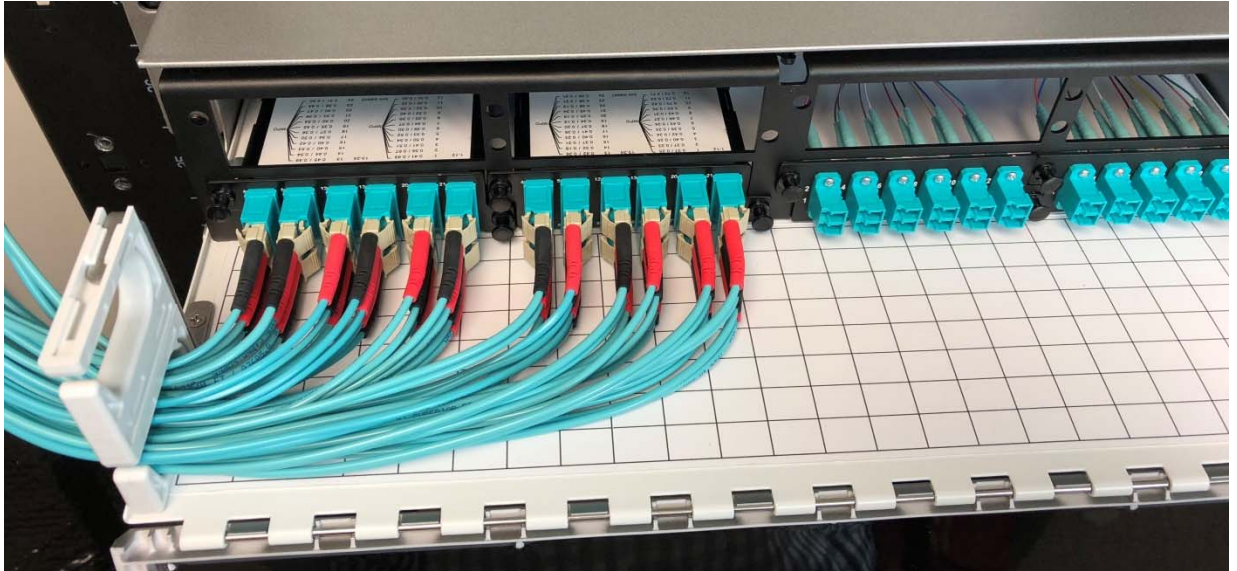


Figure 6a

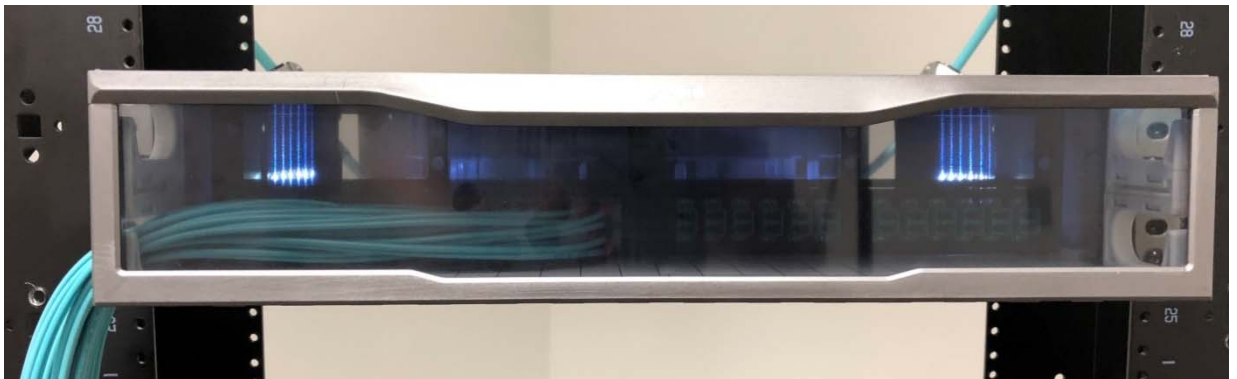


Figure 6b

7.2. Refer to Figures 7a, 7b, and 7c for Fiber Installation and routing in the rear of the Fiber Enclosure. Fibers should be routed from the cassettes, into the wire managers as needed, and routed into the rear grommets. About 5.5 inches of slack should be left in the cable to allow for the rotation of the pivot arms or movement of the enclosure tray.

Figure 7a shows routing from the wire managers to the rear grommets. Figure 7b shows fiber routing using the wire managers into installed cassettes. Figure 7c shows a view of the rear door opened and the wire managers within the enclosure.

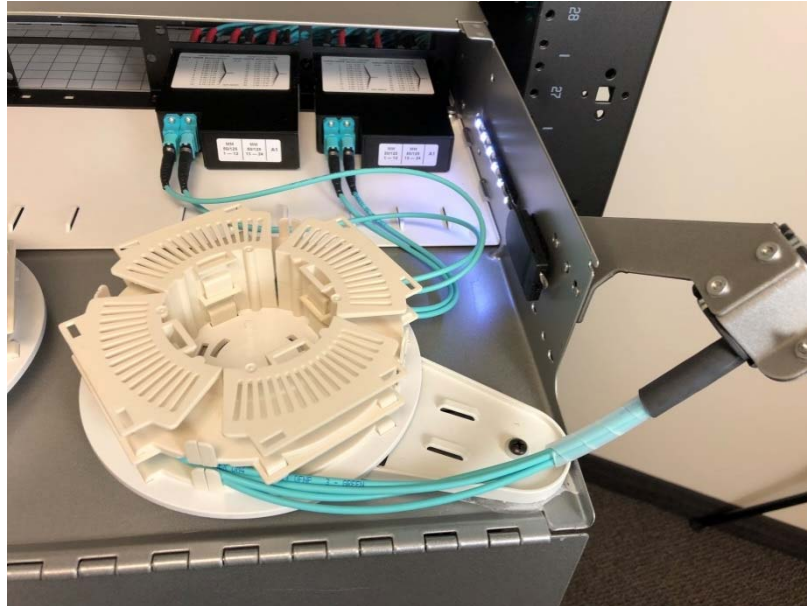


Figure 7a



Figure 7b



Figure 7c

- 7.3. Refer to images 8a and 8b for Fiber Installation in rear grommets. Grommets should have spacers installed in the holes without fibers.

Figure 8a shows two fibers mounted to grommet with a spacer installed. Figure 8b shows a single wire mounted to a rear grommet with two spacers installed.



Figure 8a



Figure 8b