

NEW CONVIVIO

PRACTICAL, EASY TO INSTALL
AND ESTHETICAL SOLUTIONS



3 - PHASE DISTRIBUTION BOARDS
UP TO 250 A



→ CATALOGUE PAGES INSIDE

THE **GLOBAL SPECIALIST**
IN ELECTRICAL DIGITAL BUILDING INFRASTRUCTURES

 **legrand**[®]



CONVIVIO

A NEW COMPREHENSIVE
AND RELIABLE RANGE,
COMPLETELY REDESIGNED

Specially designed for the residential sector or small commercial and industrial buildings, the new Convivio range of 3-phase distribution boards can be installed in various type of buildings such as individual houses, villas, blocks of flats offices or commercial buildings, hotels, factories, warehouses. Thanks to their modern design and neutral colour they blend in discreetly in all types of contemporary interiors.



GENERAL CONTENT

Complete ready to use
distribution boards up to 250 A..... p. 2

Easy installation and wiring p. 3

New esthetics p. 6

Catalogue pages..... p. 8



Complete ready to use

DISTRIBUTION BOARDS UP TO 250 A

Simple choice according to the type and rating of the main circuit breaker and number of outgoing terminals. Available in 3 versions according to the size of the main circuit breaker, the new range covers all the professional's needs for installations up to 250 A. The boards are ready to use, with pre-fitted doors, faceplate, distribution system, connection terminals, neutral and earth terminal blocks and fixing device for the main circuit breaker.

1 CATALOGUE NUMBER = 1 COMPLETE, READY TO USE DISTRIBUTION BOARD

ONLY A FEW CATALOGUE NUMBERS TO STORE : THE SAME BOARD CAN BE FLUSH-MOUNTED OR SURFACE MOUNTED.



3 VERSIONS ACCORDING TO THE SIZE OF THE MAIN CIRCUIT BREAKER

$I_n \leq 63 \text{ A} \rightarrow \text{DX}^3$



Main circuit breaker : DX³

$I_n \leq 125 \text{ A} \rightarrow \text{DPX}^3 160$



Main circuit breaker : DPX³ 160

$I_n \leq 250 \text{ A} \rightarrow \text{DPX}^3 250$



Main circuit breaker : DPX³ 250

**COMPLIANT TO IEC 61439-3
(busbar type tested)**

IP 43 IK 09

WHITE RAL 9016

OUTGOING CIRCUIT BREAKERS

DIN rail mounting MCBs up to 63 A
1 module/pole from 1P to 3P

NUMBER OF 3P WAYS

4 / 6 / 8 / 10 / 12 / 14 / 16 / 18

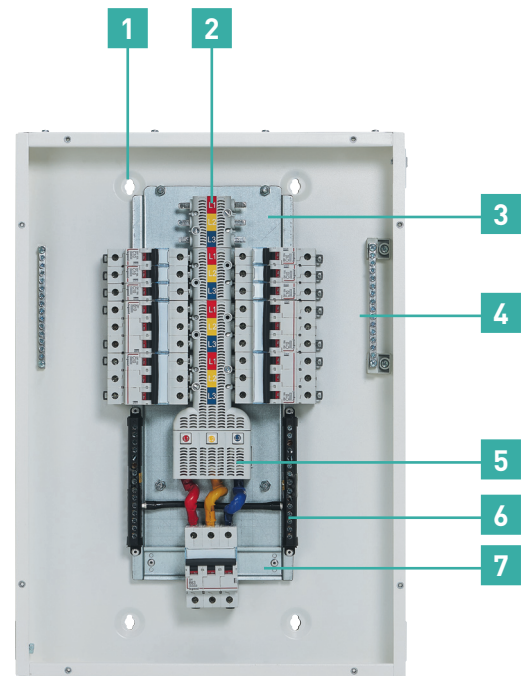
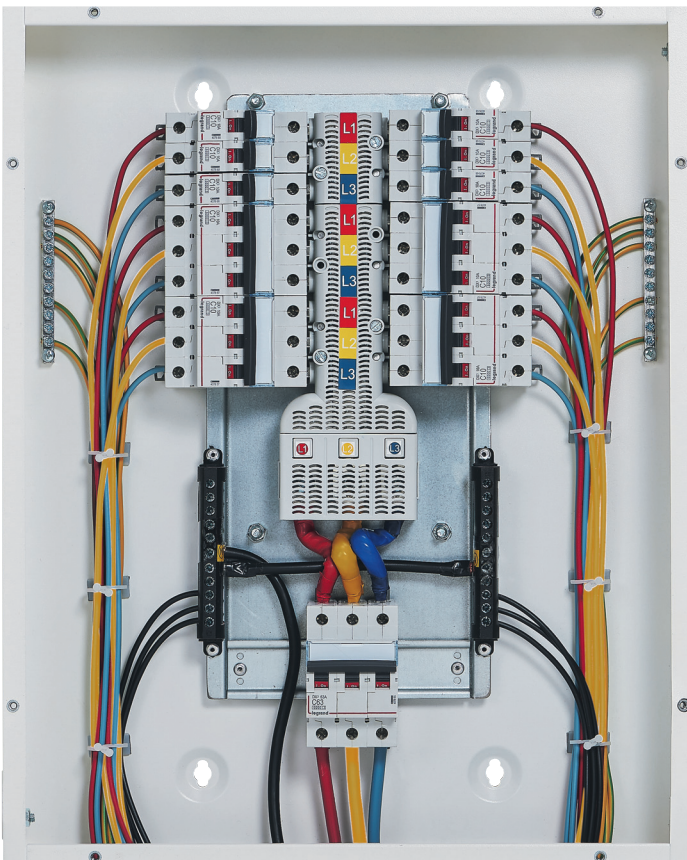
TOTAL NUMBER OF POLES (OUTGOING TERMINALS)

12 / 18 / 24 / 30 / 36 / 42 / 48 / 54

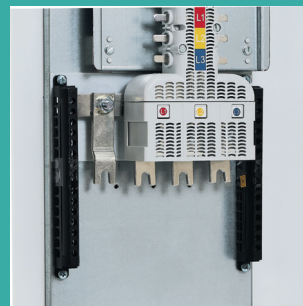
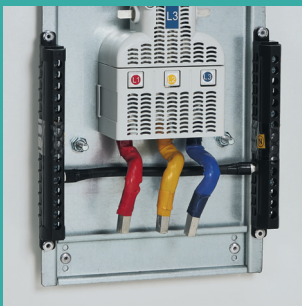
Easy

INSTALLATION AND WIRING

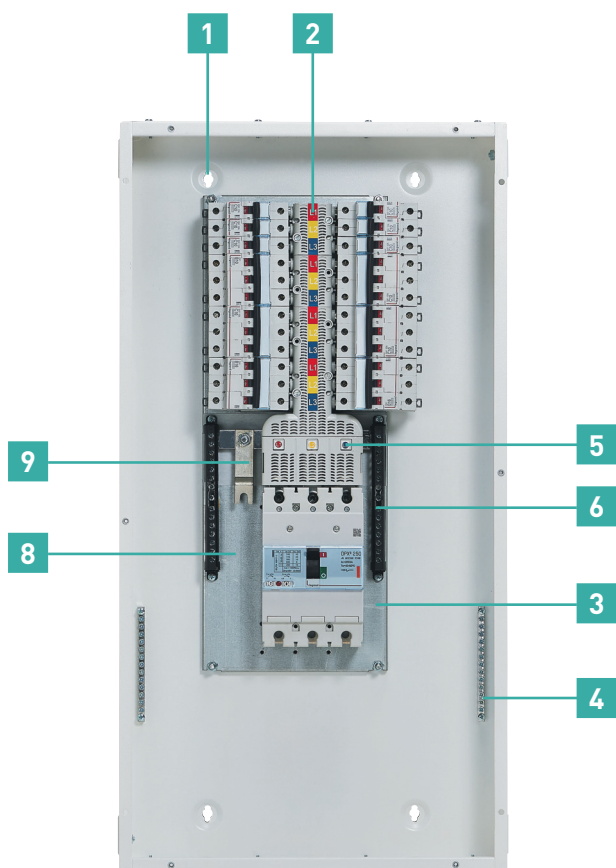
The new Convivio distribution boards were designed to simplify and speed up installation from the board to the circuit breaker.



Example of a complete assembly in an enclosure with busbar and DIN rail mounting main circuit breaker



The connection terminals are perfectly adapted to the type and to the size of the main circuit breakers.

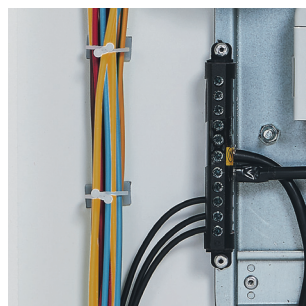


Example of a complete assembly in an enclosure with busbar and an MCCB as main circuit breaker

- 1** Special shape fixing holes allowing position adjustments during installation.
- 2** Fully isolated (tin plated copper) busbar with coloured labels to identify each phase. Can be equipped with 1P to 3P MCBs
- 3** Removable plate allowing cabling operations to take place independently of the distribution board (i.e. at the panel builder's facility)
- 4** Earth terminal on each side of the distribution board to facilitate cabling
- 5** Terminal shields for main circuit breaker.
- 6** IP 2X neutral terminals equally distributed on both sides of the distribution box
- 7** DIN rail for main MCB
- 8** Fixing plate for main MCCB
- 9** Preinstalled neutral terminal



Insulated terminal shields on outgoing terminals that are not in use (provided with the distribution board).



Self adhesive cable ties provided with the distribution board to easily hold wires in place



Pre-cut cable entries at the top, at the bottom and halfway up on each side. Removable cable entry plate at the top and at the bottom of the cabinets.

New esthetics

WITH A MODERN DESIGN AND COMFORT OF USE

An impeccable finish for the new Convivio range of distribution boards. Made entirely of metal, they combine smooth corners with easier handling thanks to the reversible doors, easier cable access and innovative doorknob with quick locking system.



Sleek door for minimal wall projection and seamless integration of the flush-mounted distribution boards



Innovative doorknob with quick "push to open" locking system



Integrated door hinges ensuring electrical continuity of the earthing system (between the door and the distribution board)



- 1** Sleek look with rounded corners
- 2** Integrated innovative doorknob and quick locking system.
- 3** Reversible door integrated to the finishing frame (4)
- 4** Finishing frame
- 5** Pre-cut faceplate according to the size of the main circuit breaker.
- 6** Door seal ensuring protection against dust and humidity (IP 43)

Convivio™ 3-phase distribution boards

from 12 to 54 poles (outgoing terminals)



5 075 02

5 075 02 door closed

5 075 10

5 075 10 door closed

5 075 18

Technical characteristics **see opposite**

3-phase distribution boards for DIN-rail mounting circuit breakers

IP 43 - IK 09 with door

Conform to standard IEC 61439-3: busbar type tested (Lovag certified)

Maximum voltage 480 V \sim ; Rated short-time withstand current (Icw): 17 kA 0.2 s

Rated peak withstand current (Ipk): 34 kA

Rated insulation voltage (Ui): 500 V; Rated operational voltage (Ue): 415 V \sim ; Rated impulse withstand voltage (Uimp): 4 kV

White RAL 9016

Supplied with: surface or flush-mounting box, door with handle, faceplate, fully isolated tin plated copper busbar, 2 earth and 2 neutral terminal blocks and cable ties for cable management

The number of holes of earth and neutral terminal blocks are equal to the number of outgoing devices

Pack	Cat.Nos	Distribution boards up to 63 A	
		Flush or surface mounting Equipped with $\overline{\text{C}}$ rail for main circuit breaker: 3P or 3P + N (Neutral on the right-hand side), 1 module/pole, $\overline{\text{C}}$ rail mounting MCBs	
		No of poles (outgoing terminals)	No of 3P ways
1	5 075 00	12	4
1	5 075 01	18	6
1	5 075 02	24	8
1	5 075 03	30	10
1	5 075 04	36	12
1	5 075 05	42	14
1	5 075 06	48	16
1	5 075 07	54	18

Pack	Cat.Nos	Accessories
1	5 075 27	Insulating caps Set of 20 insulating caps for protecting unused outgoing terminals of the busbar
1	5 075 26	Earth terminal block Additional earth terminal block for Convivio distribution boards

Pack	Cat.Nos	Distribution boards up to 125 A	
		Flush or surface mounting Equipped with mounting plate for main circuit breaker: DPX ³ 160	
		No of poles (outgoing terminals)	No of 3P ways
1	5 075 08	12	4
1	5 075 09	18	6
1	5 075 10	24	8
1	5 075 11	30	10
1	5 075 12	36	12
1	5 075 13	42	14
1	5 075 14	48	16
1	5 075 15	54	18

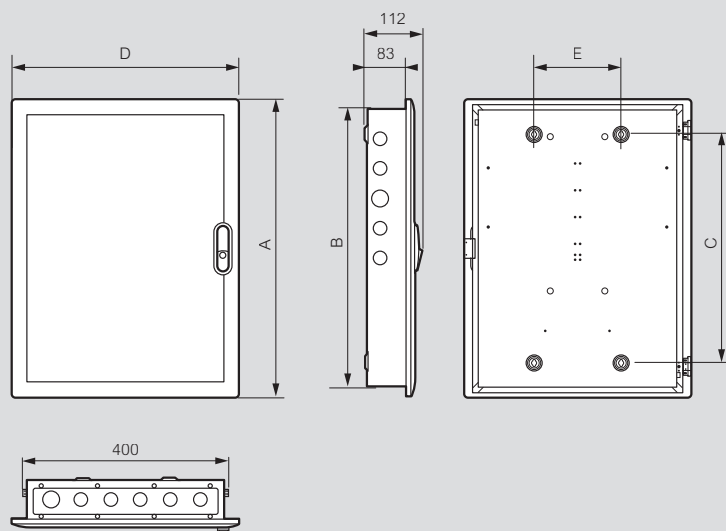
Pack	Cat.Nos	Distribution boards up to 250 A	
		Flush or surface mounting Equipped with mounting plate for main circuit breaker: DPX ³ 250	
		No of poles (outgoing terminals)	No of 3P ways
1	5 075 16	12	4
1	5 075 17	18	6
1	5 075 18	24	8
1	5 075 19	30	10
1	5 075 20	36	12
1	5 075 21	42	14
1	5 075 22	48	16
1	5 075 23	54	18

Convivio™ 3-phase distribution boards

technical characteristics

■ Dimensions

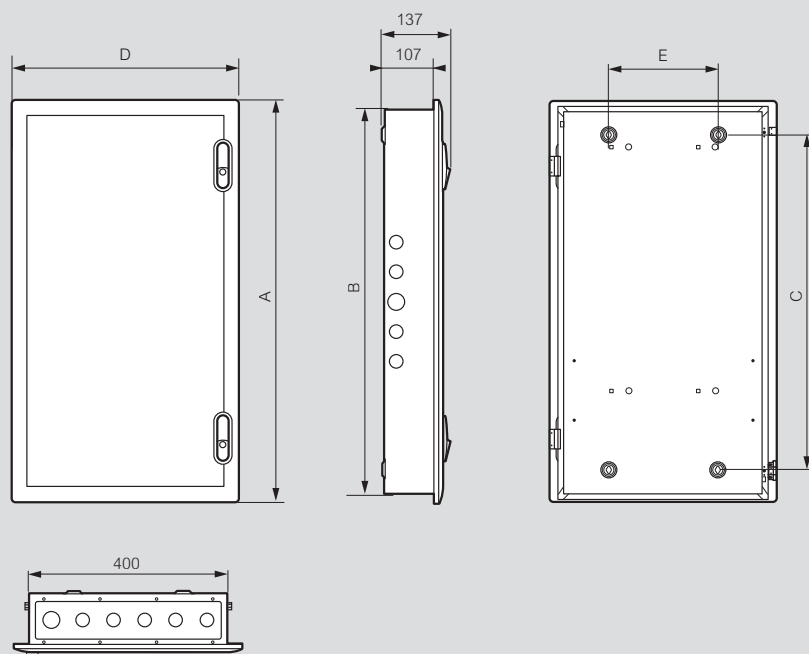
Distribution boards up to 63 A



Cat.Nos	Dimensions (mm)				
	A	B	C	D	E
5 075 00	490	451	352	457	175
5 075 01	544	505	406	457	175
5 075 02	598	559	460	457	175
5 075 03	673	635	536	457	175
5 075 04	728	689	590	457	175
5 075 05	781	743	644	457	175
5 075 06	898	860	761	457	175
5 075 07	898	860	761	457	175

Number of knockouts	Size of the knockouts	
	Ø 26 mm	Ø 33 mm
Top & Bottom	5	1
Sides	4	1

Distribution boards up to 125 A and 250 A



Cat.Nos	Dimensions (mm)				
	A	B	C	D	E
5 075 08	703	664	565	457	220
5 075 09	757	718	619	457	220
5 075 10	811	772	673	457	220
5 075 11	865	826	727	457	220
5 075 12	919	880	781	457	220
5 075 13	973	934	835	457	220
5 075 14	1027	988	889	457	220
5 075 15	1081	1042	943	457	220
5 075 16	703	664	565	457	220
5 075 17	757	718	619	457	220
5 075 18	811	772	673	457	220
5 075 19	865	826	727	457	220
5 075 20	919	880	781	457	220
5 075 21	973	934	835	457	220
5 075 22	1027	988	889	457	220
5 075 23	1081	1042	943	457	220

Number of knockouts	Size of the knockouts	
	Ø 26 mm	Ø 33 mm
Top & Bottom	5	1
Sides	4	1

In accordance with its policy of continual improvement, the company reserves the right to modify the characteristics and design of its products without warning. All illustrations, descriptions, dimensions, and weights indicated in this catalogue are given as a guide only and the company cannot be held liable for their accuracy.



FOLLOW US ON

@ website: www.legrand.eg

f legrand

legrandegypt



EMB Electrical Industries S.A.E.

Headquarter office

Pyramids Heights Office Park
KM 22 Cairo - Alex. desert road
Building 1B, 12556
Tel.: +202 3536 0000
Fax: +202 3536 0001
www.legrand.eg