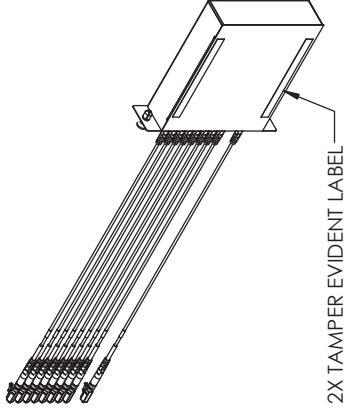
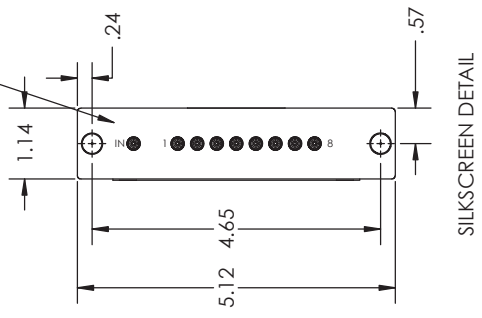
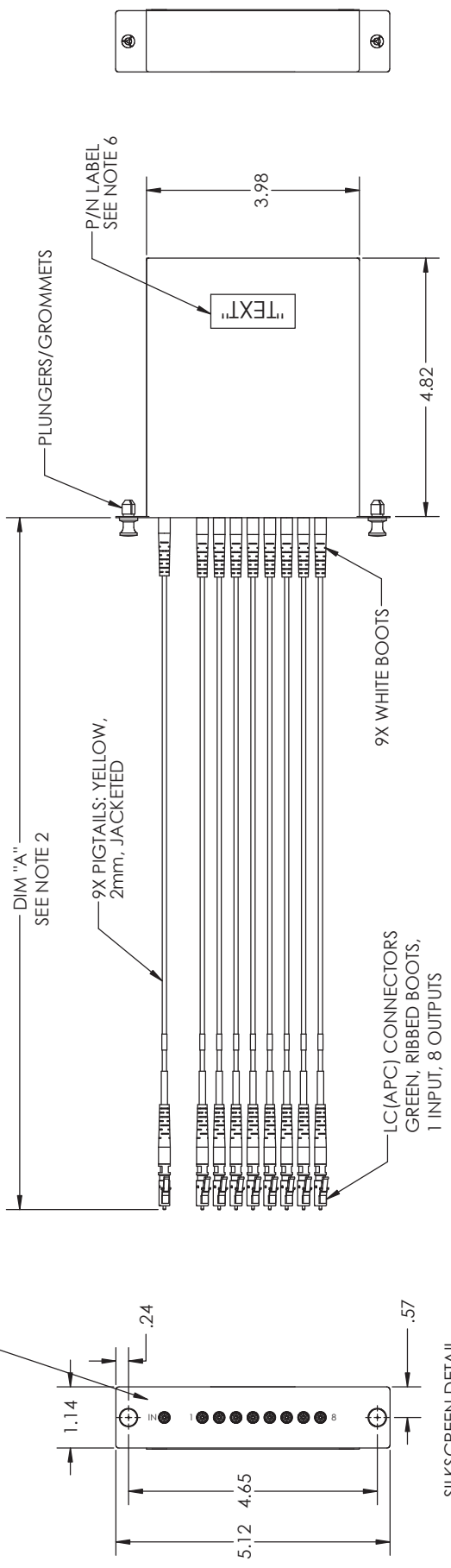


- NOTES: UNLESS OTHERWISE SPECIFIED
1. PERFORMANCE SHALL BE IN ACCORDANCE WITH LEGRAND SPECIFICATION 71800076#C.
 2. THE "XM" PORTION OF THE PART NUMBER SHALL IDENTIFY THE OVERALL EXTERNAL PIGTAIL LENGTH OF THE ASSEMBLY. THE UNITS OF MEASURE ARE INDICATED BY THE CHARACTER IMMEDIATELY FOLLOWING THE "X": PORTION OF THE PART NUMBER (I.E., M=METERS, F=FEET, H="XM" +1/2 FOOT, S="X"2/1+ METER). LENGTH TOLERANCE IS ±.100 METERS (±3.95 IN.).
 3. A LABEL SHOWING THE INSERTION LOSS, BY PORT, IS PROVIDED PACKAGED WITH THE CASSETTE.
 4. THE CASSETTE BODY IS METAL PAINTED BLACK.
 5. INPUT AND OUTPUT PIGTAILS HAVE LABELS FOR CHANNEL AND INPUT IDENTIFICATION.
 6. EACH SPLITTER ASSEMBLY SHALL BE IDENTIFIED WITH "LEGRAND", A PART NUMBER, A 4 DIGIT MANUFACTURE DATE CODE (WWYY=WEEK YEAR), AND LOCATION CODE(XX).



FRONT PANEL WITH MARKINGS



*** NOTICE ***
THIS DOCUMENT CONTAINS CONFIDENTIAL INFORMATION AND IS NOT TO BE REPRODUCED OR TRANSMITTED IN ANY FORM OR BY ANY MEANS, EITHER ELECTRONIC OR MECHANICAL, INCLUDING PHOTOCOPYING, RECORDING, OR BY ANY INFORMATION STORAGE AND RETRIEVAL SYSTEM, WITHOUT THE WRITTEN PERMISSION OF LEGRAND, INC. ANY UNAUTHORIZED REPRODUCTION, COPIED, DISTRIBUTED, DISCLOSED TO ANY THIRD PARTY OR USED IN ANY MANNER OTHER THAN THAT AUTHORIZED BY LEGRAND, INC. IS STRICTLY PROHIBITED. LEGRAND, INC. ACCEPTS NO LIABILITY FOR THE PRODUCTION OF THIS DOCUMENT. THE PRODUCTION OF THIS DOCUMENT IS THE PROPERTY OF LEGRAND, INC. AND IS SUBJECT TO CHANGE WITHOUT NOTICE.

NAME	DATE
DWN	8/17/2018
CHK	8/20/2018
APPR	2/11/2019

SIZE	CAD FILE	DWG_NO	REV
B	M2S1108LA09XMC	M2S1108LA09XM	00

SCALE	SHEET
1:2	1 OF 1

TITLE
SPLITTER, 1X8 LC (APC), W/PIGTAILS

www.legrand.eg