

Practibox³

ELEGANT &
PRACTICAL



8/12 AND 18 MODULES/ROW
FLUSH-MOUNTING DISTRIBUTION CABINETS

[-> CATALOGUE PAGES INSIDE](#)

THE GLOBAL SPECIALIST
IN ELECTRICAL AND DIGITAL BUILDING INFRASTRUCTURES

 **legrand**[®]

WITH PRACTIBOX³ CABINETS ARE NO LONGER HIDDEN

Pure design
& easy to use
cabinets

These new, ready-to-use flush-mounting distribution cabinets have a uncluttered design and a top quality finish. But over and above its attractive appearance, its special ergonomic design gives both users and installers maximum ease of use.

ULTRA-FLAT



DESIGNED FOR
RESIDENTIAL AND
SMALL COMMERCIAL
INSTALLATIONS

A STYLISH DOOR
Fitting close to the wall, the white or transparent smoked finish doors on Practibox³ cabinets are ultra-flat and smooth, so that the cabinets blend in perfectly with today's interiors.

180° OPENING

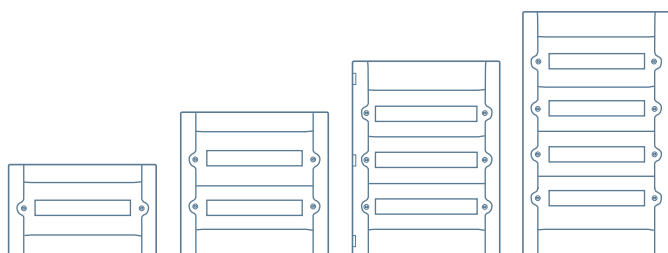


REVERSIBLE DOOR
Integrated hinges to attach the door on the required side*
Patented Legrand system

INTEGRATED HANDLE
The discrete, flush handle can take a key lock

EASY CLOSING
With magnets inside the door*

[*] From the 2-row version upwards



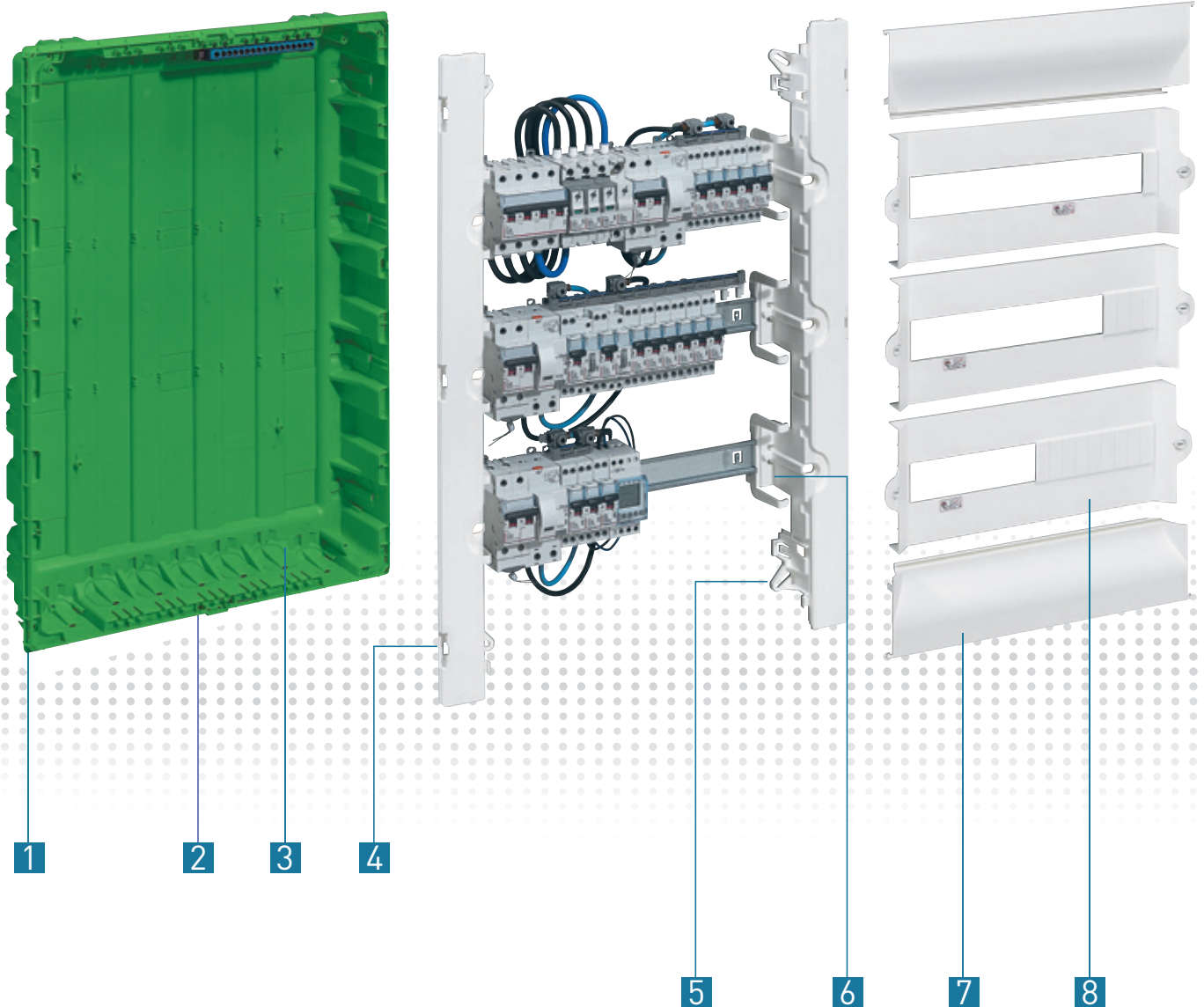
THE PRACTIBOX³ CABINET RANGE

These ready-to-use cabinets are available in different sizes with 1 to 4 rows, and with a capacity of 8/12 or 18 modules per row. They are supplied with a white or transparent smoked finish door and with screw connection earth and neutral terminal blocks (depending on the version)

WITH PRACTIBOX³ STRENGTH AND EASY INSTALLATION

**Robust,
easy to
install**

From the chassis and faceplates through to the rigid, practical flush-mounting box, everything has been designed to ensure that on-site installation is straightforward and easy, whatever material they are mounted in and whatever the configuration, in line with the applicable standards.



THE GUARANTEE OF A ROBUST RANGE

Fire resistance

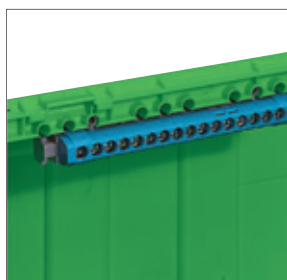
up to 850°

Conforming to standards

**IEC 60670-24
IEC 62208
IEC 61439-3**



1 FLUSH-MOUNTING BOX
Strength and optimum rigidity, thanks to its material and shape suitable for all types of material (masonry or dry partitions, using the special kit)



2 IP2X CHASSIS
Additional terminal blocks can be added at the top and bottom of the flush-mounting box with no need for any additional mounting support, or on flat bars via the chassis



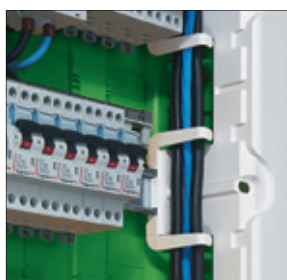
3 CABLE ENTRIES
Solid knock-out cable entries to prevent concrete accidentally entering the cabinet via unused entries. Positions for cable ties enable conduits to be secured



4 ERGONOMIC CHASSIS
Self-guided chassis for even more time-saving during installation



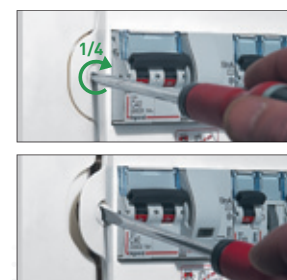
5 ADJUSTMENT OF THE CHASSIS
Oblong holes to adjust for any uneven mounting



6 WIRING
The integrated guide rings provide optimised cable management at the sides



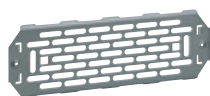
7 SIMPLIFIED ACCESS TO TERMINAL BLOCKS
Chassis with removable, pivoting top and bottom parts for easy access to the terminal blocks



8 FACEPLATES
1/4 turn captive screws with automatic raising system for easy extraction (patented Legrand system). The faceplates can be removed one row at a time (from 2-row version upwards). Installation is guided

A COMPLETE RANGE OF ACCESSORIES

- Joining kit for masonry
- Mounting kit for dry partitions
- Horizontal divider (from 2-row version upwards)
- Key lock
- Blanking plates



- Perforated plates for fitting non-modular equipment¹



- Flat bar 12 x 2 cm for installing additional terminal blocks¹



- Cuttable solid faceplates¹



- Additional blanking plates

1 : For 18 modules/row cabinets only

Flush-mounting cabinets Practibox³

from 8 to 72 modules



Technical characteristics p. 5

Class II
 IP 40 - IK 07 with door
 Self-extinguishing: resistance to incandescent wire 850 °C
 Conform to IEC 60670-24 and IEC 62208 : allows to achieve assemblies conform to IEC 61439-3

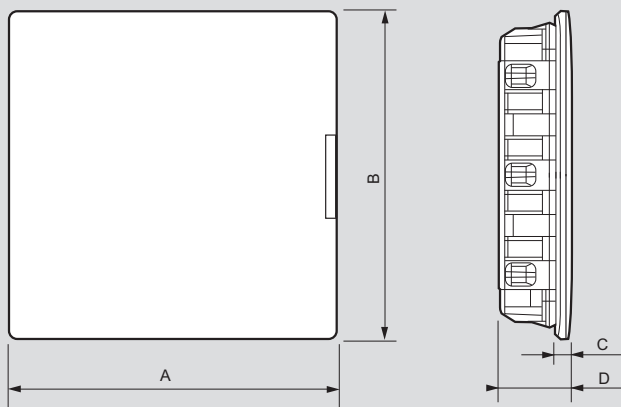
Pack	Cat.Nos		Flush-mounting distribution cabinets				
			Box for masonry or dry partitions (with dry partitions kit Cat.No 4 017 24) Supplied with: - removable chassis with rails fitted - reversible door (door + faceplate for 1-row cabinets) - removable faceplates for each row (for 2, 3 and 4-row cabinets) - IP 2X screw terminal blocks - blanking plates (5 modules, separable per module or 1/2 module, for 2, 3 and 4-row cabinets) Spacing between rails 150 mm Door opening : 180° Can be equipped with lock and key n° 850 Cat.No 0 019 66				
			8/12 modules per row with transparent door				
			Flush-mounting box				
			Number of rows	Number of modules	Height (mm)	Width (mm)	Depth (mm)
	With earth terminal blocks	With earth and neutral terminal blocks					
1	4 017 01	4 017 51	1	8	186	232	80
1	4 017 02	4 017 52	1	12	222	304	80
1	4 017 03	4 017 53	2	24	372	304	85
1	4 017 04	4 017 54	3	36	522	304	85
			8/12 modules per row with white door RAL 9003				
1	4 017 11	4 017 61	1	8	186	232	80
1	4 017 12	4 017 62	1	12	222	304	80
1	4 017 13	4 017 63	2	24	372	304	85
1	4 017 14	4 017 64	3	36	522	304	85
			18 modules per row with transparent door				
1	4 017 06	4 017 56	1	18	248	436	85
1	4 017 07	4 017 57	2	36	456	436	85
1	4 017 08	4 017 58	3	54	606	436	91
1	4 017 09	4 017 59	4	72	756	436	91
			18 modules per row with white door RAL 9003				
1	4 017 16	4 017 66	1	18	248	436	85
1	4 017 17	4 017 67	2	36	456	436	85
1	4 017 18	4 017 68	3	54	606	436	91
1	4 017 19	4 017 69	4	72	756	436	91

Pack	Cat.Nos	Accessories
1	4 017 23	Horizontal or vertical joining kit For joining 2 cabinets when installed in masonry
1	4 017 24	Flush-mounting kit for dry partitions For installation of Practibox ³ cabinets in dry partitions
1	4 017 22	Horizontal partition for 18 modules per row cabinets For 2, 3 or 4-rows cabinets
1	4 017 25	Plain faceplate for 18 modules per row cabinets For 2, 3 or 4-rows cabinets Allow fitting of non-modular equipments such as control and signalling units
1	4 017 26	Perforated plates for 18 modules per row cabinets To be used instead of the one rail when integrating non-modular products For 2, 3 or 4-rows cabinets Height 150 mm
1	4 017 27	12x2 flat bar for IP 2X terminal blocks for 18 modules per row cabinets For 2, 3 or 4-rows cabinets Allow fitting of additional IP 2X terminal blocks
1	0 019 66	Key lock To be fitted on white or transparent doors, starting from 3 rows of 12 modules cabinets Supplied with key n° 850
		Blanking plates White RAL 9003 Separable per module or 1/2 module
20	0 016 60	5 modules
10	0 016 62	13 modules
10	0 016 64	18 modules

Flush-mounting cabinets Practibox³

from 18 to 72 modules

■ Dimensions



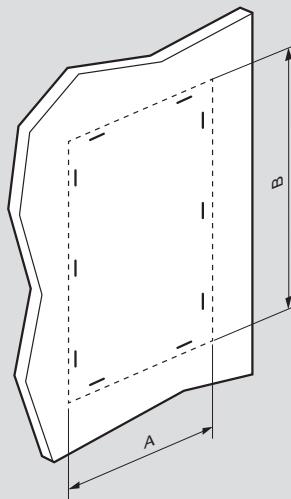
Cat.Nos	Dimensions (mm)			
	A	B	C	D
4 017 01/11/51/61	286	208	20	100
4 017 02/12/52/62	359	246	20	100
4 017 03/13/53/63	359	396	20	105
4 017 04/14/54/64	359	546	20	105
4 017 06/16/56/66	493	288	20	105
4 017 07/17/57/67	493	496	20	105
4 017 08/18/58/68	493	650	20	111
4 017 09/19/59/69	493	800	20	111

■ Number of connections per neutral and earth terminal block (supplied with enclosure)

Enclosure Cat.Nos	Neutral terminal blocks Screw connection		Earth terminal blocks Screw connection	
	1.5 - 16 mm ²	6 - 25 mm ²	1.5 - 16 mm ²	6 - 25 mm ²
4 017 01/11	-	-	8	-
4 017 02/12	-	-	12	1
4 017 03/13	-	-	16	1
4 017 04/14	-	-	21	1
4 017 06/16	-	-	12	1
4 017 07/17	-	-	16	1
4 017 08/18	-	-	21	1
4 017 09/19	-	-	33	2
4 017 51/61	8	-	8	-
4 017 52/62	8	-	12	1
4 017 53/63	2 x 8	-	16	1
4 017 54/64	3 x 8	-	21	1
4 017 56/66	12	1	12	1
4 017 57/67	2 x 8	-	16	1
4 017 58/68	3 x 8	-	21	1
4 017 59/69	4 x 8	-	33	2

■ Wall cutting when installing the boxes in dry partitions or masonry

For dry partitions use the flush-mounting kit Cat.No 4 017 24



Cat.Nos	Dimensions for dry partitions (mm)		Dimensions for masonry (mm)	
	A	B	A	B
4 017 01/11/51/61	233	187	> 233	> 187
4 017 02/12/52/62	305	223	> 305	> 223
4 017 03/13/53/63	305	373	> 305	> 373
4 017 04/14/54/64	305	523	> 305	> 523
4 017 06/16/56/66	437	249	> 437	> 249
4 017 07/17/57/67	437	454	> 437	> 454
4 017 08/18/58/68	437	607	> 437	> 607
4 017 09/19/59/69	437	757	> 437	> 757

■ Number of blanking plates supplied per enclosure

Enclosure Cat.Nos	Number of blanking plates 5 modules
4 017 01/11/51/61	-
4 017 02/12/52/62	1
4 017 03/13/53/63	1
4 017 04/14/54/64	2
4 017 06/16/56/66	1
4 017 07/17/57/67	2
4 017 08/18/58/68	2
4 017 09/19/59/69	2



EXB 14060 - September 2018

FOLLOW US ON

@ website: www.legrand.eg

f legrand

@ legrandegypt



EMB Electrical Industries S.A.E.

Headquarter office

Pyramids Heights Office Park
KM 22 Cairo - Alex. desert road
Building 1B, 12556
Tel.: +202 3536 0000
Fax: +202 3536 0001
www.legrand.eg